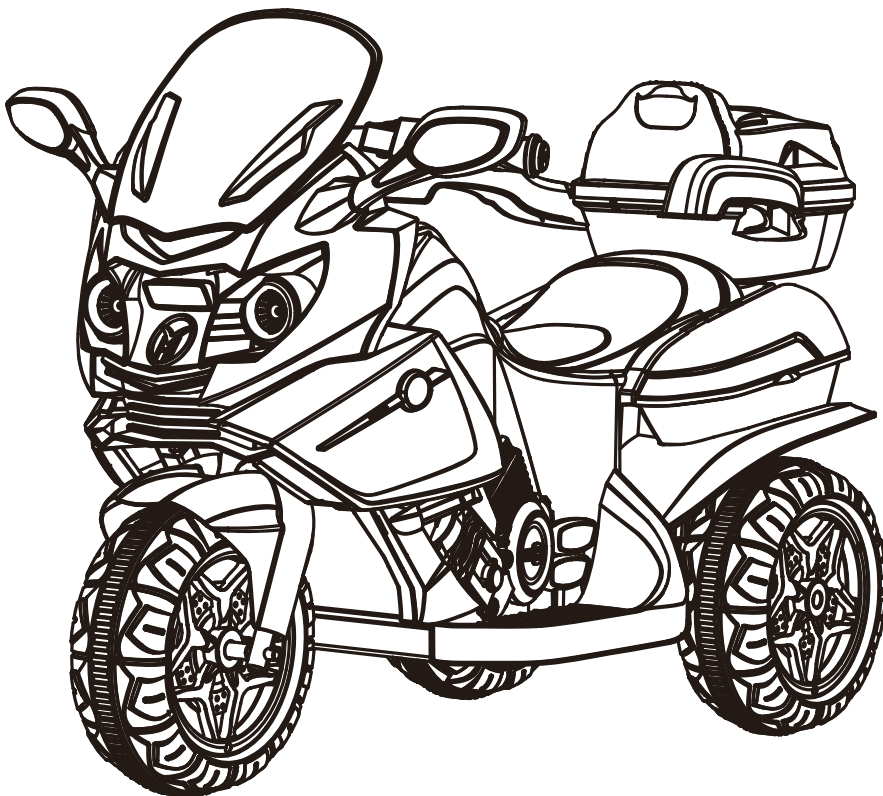


CHILDREN'S ELECTRONIC TOY CAR



- Suitable for 37~96 months
- Maximum user weight: 30kg
- Adult assembly required

OWNER'S MANUAL

Read and understand this entire manual before using!

Please keep this manual for future reference as it contains important information.

Before first time use, charge the battery for at least 8-12 hours.

On the purchase of your new Ride-On.

This ride-on car will provide your child with many miles of riding of enjoyment. To help assure you and your rider a safe ride we ask you to please read this manual carefully, and keep it for future reference.

Follow the recommendations in this manual, they are designed to improve the safety and operation of your ride-on car and it's rider.

A About Your New Vehicle

Suitable age:	37~96 monthes	Load capacity:	Under 30kg
Battery:	6V 4.5AH or 7AH x1 2WD x2	Size of car:	112 x 52 x 73 cm
Charge time:	8~12 hours	Speed:	3 km/h
Charge:	Input: depend on local voltage Output:DC 6V500ma		

B Parts List

NO.	PART NAME	Q'TY (PCS)	REMARK	NO.	PART NAME	Q'TY (PCS)	REMARK
1	Vehicle body	1		15	Seat	1	
2	Gear box	1	2WD x2	16	Handle bar	1	
3	Rear wheel	2		17	Split pin	2	
4	Bushing	2		18	Toolbox base	1	
5	φ11 washer	4	2WD x2	19	Toolbox cover	1	
6	Wheel cover ring	2		20	15MM steel wire	2	
7	Wheel cover	2		21	Toolbox connector	2	
8	Vehicle body board	1		22	Φ5 nut	1	
9	Vehicle body board	1		23	M5x60 machine screw	1	
10	Front fender	1		24	Armrest	\	2WD x1
11	Front wheel	1		A	Charger	1	
12	Faceguard	1		B	Remote controller	1	
13	Rear axle	1					
14	Mirror	2					

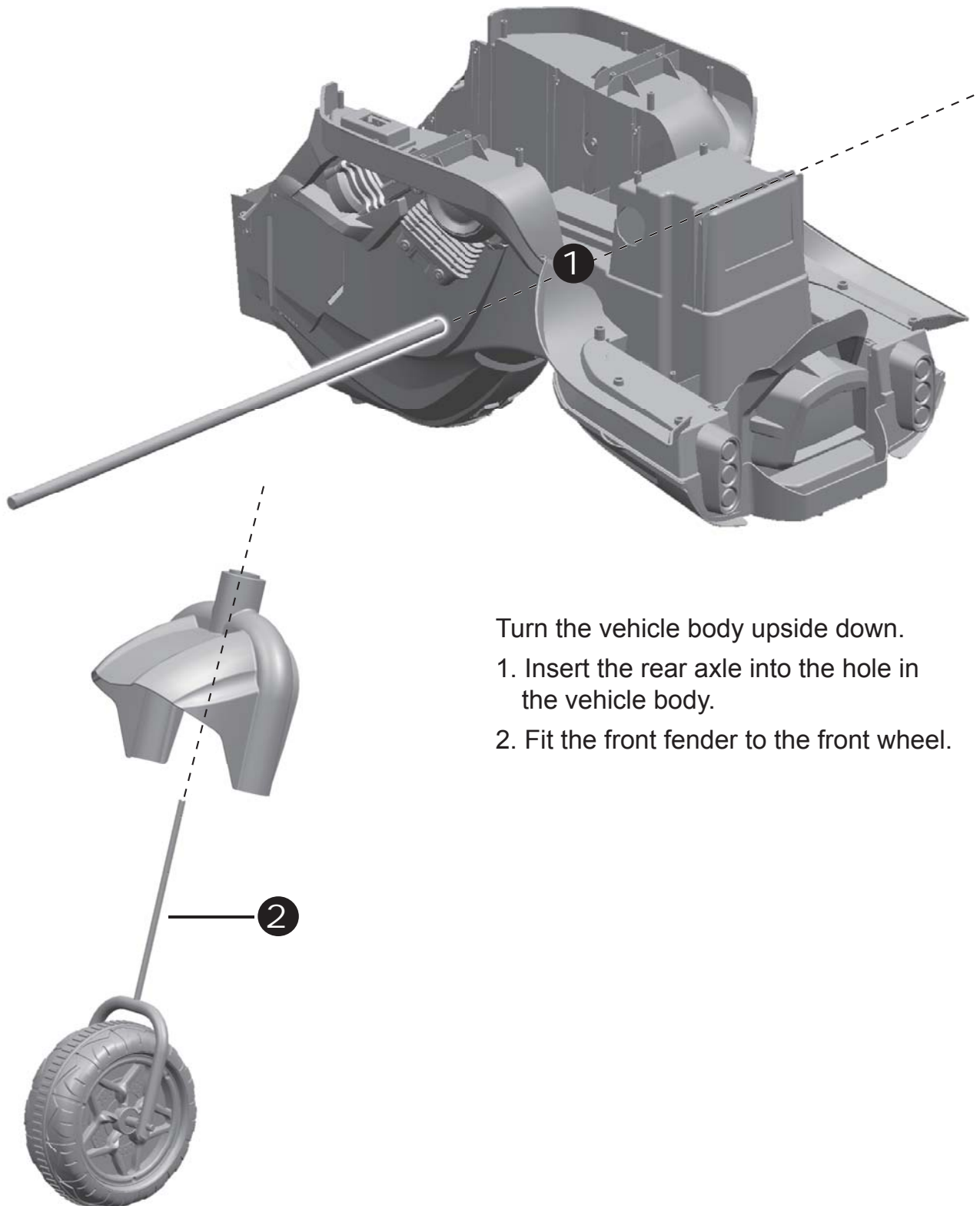
D

Assembly



WARNING:

- **CHOKING HAZARD!** Not suitable for children under 36 months.
- **ADULT ASSEMBLY REQUIRED.**



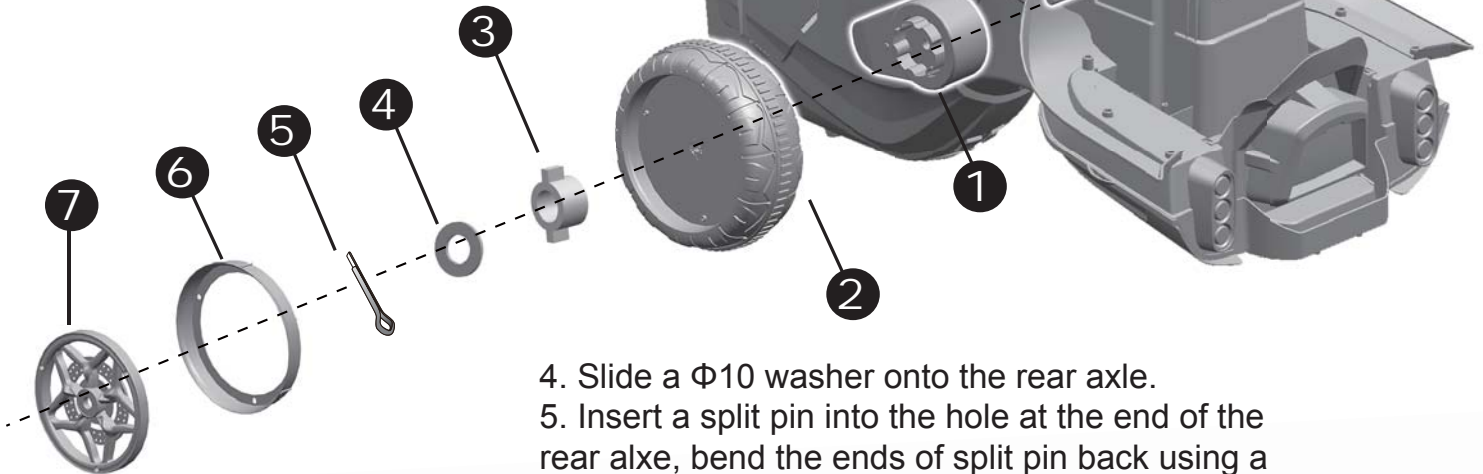
Turn the vehicle body upside down.

1. Insert the rear axle into the hole in the vehicle body.
2. Fit the front fender to the front wheel.

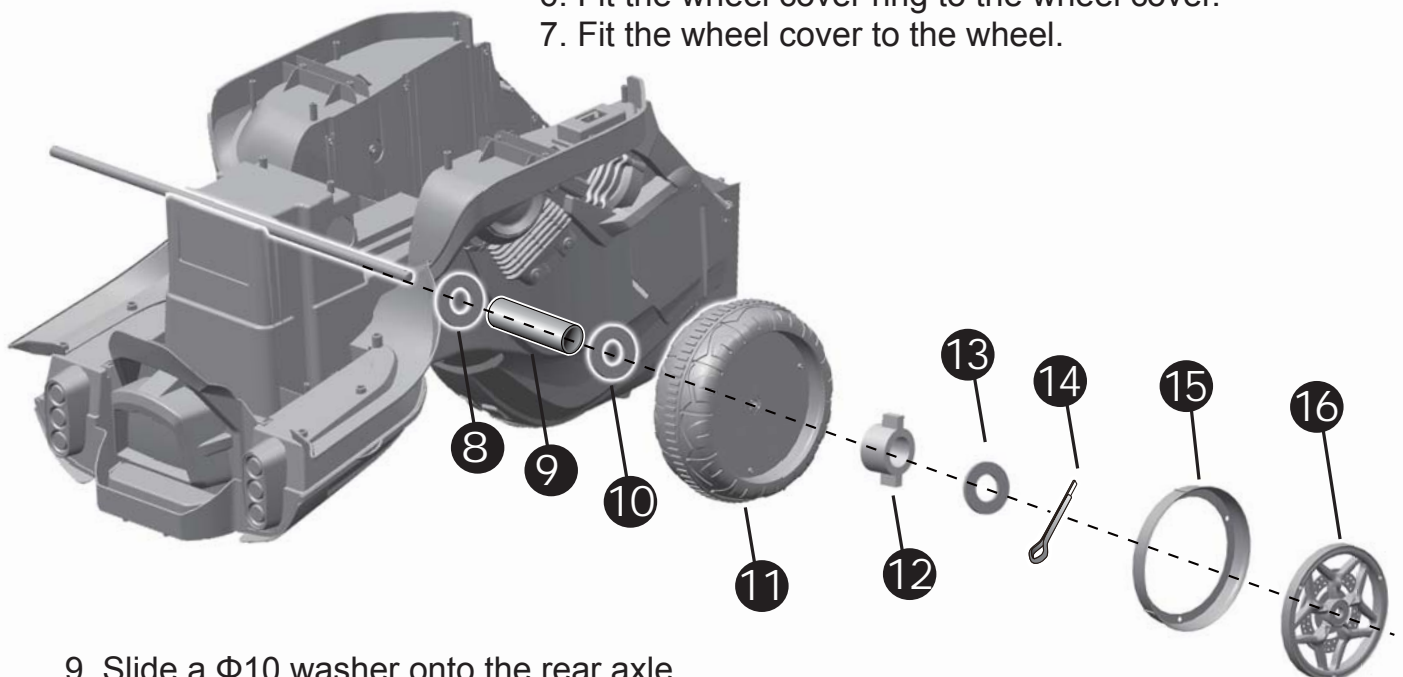
D

1WD Assembly

1. Fit the gear box onto the rear axle from the Left Side.
2. Slide a wheel onto the rear axle and make the wheel match with the bushing.
3. Slide another bushing, and make it match with the wheel also.



4. Slide a $\Phi 10$ washer onto the rear axle.
5. Insert a split pin into the hole at the end of the rear axle, bend the ends of split pin back using a long nose pliers.
6. Fit the wheel cover ring to the wheel cover.
7. Fit the wheel cover to the wheel.

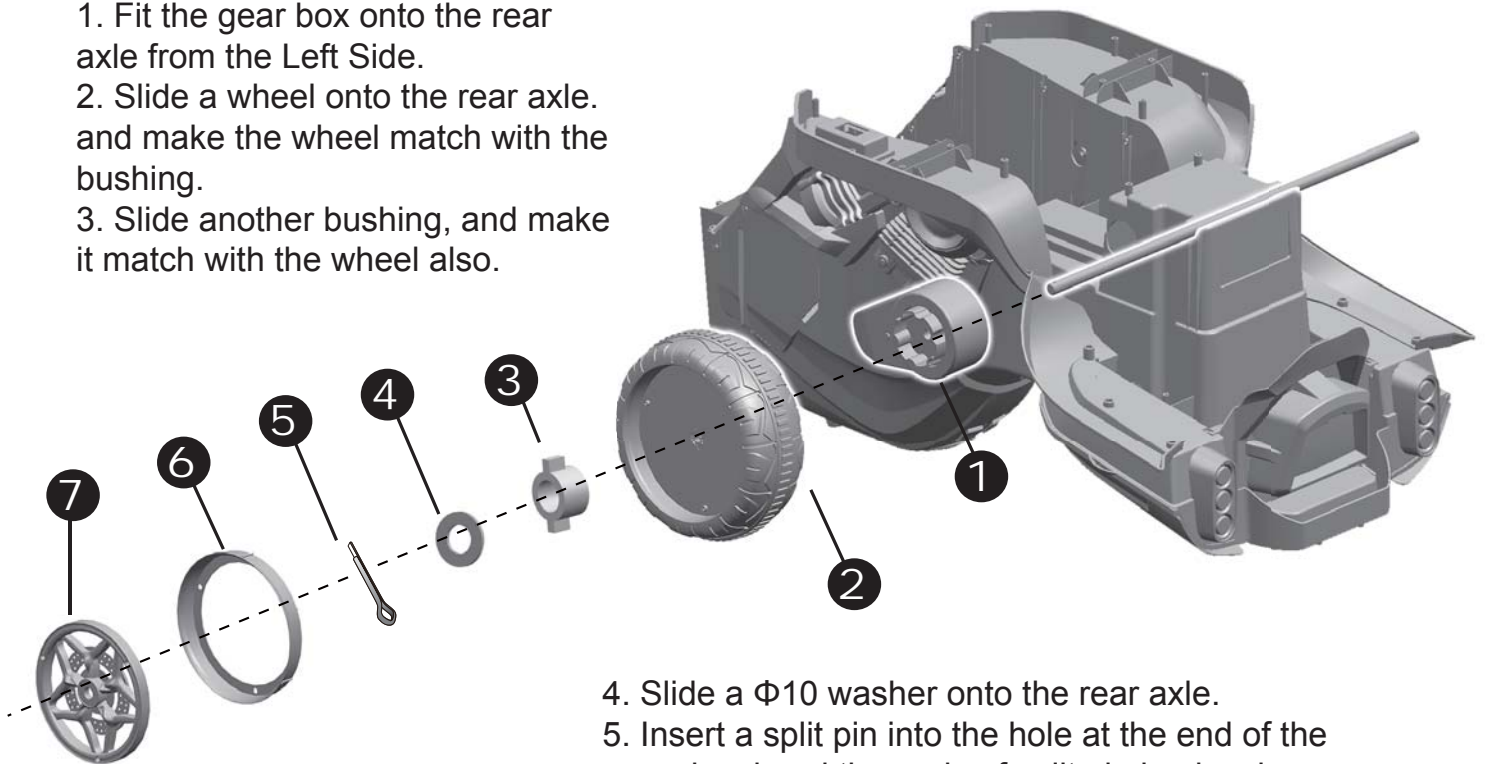


9. Slide a $\Phi 10$ washer onto the rear axle.
10. Slide a iron tube onto the rear axle.
11. Slide a wheel onto the rear axle.
12. Slide a bushing onto the rear axle. Also make it match with the wheel.
13. Slide a $\Phi 11$ washer onto the rear axle.
14. Insert a split pin into the hole at the end of the rear axle, bend the ends of split pin back using a long nose pliers.
15. Fit the wheel cover ring to the wheel cover.
16. Fit the wheel cover to the wheel.

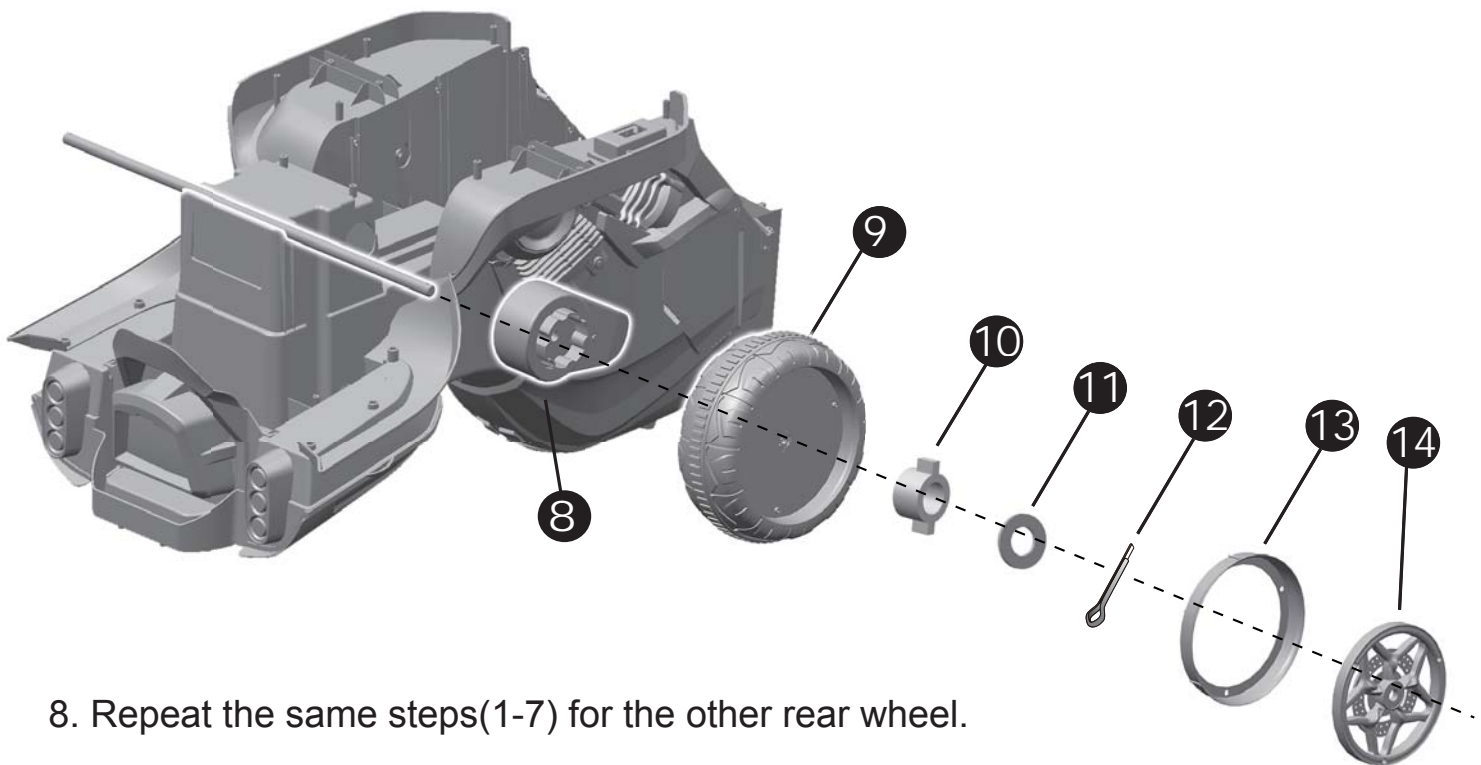
2WD Assembly

D

1. Fit the gear box onto the rear axle from the Left Side.
2. Slide a wheel onto the rear axle and make the wheel match with the bushing.
3. Slide another bushing, and make it match with the wheel also.



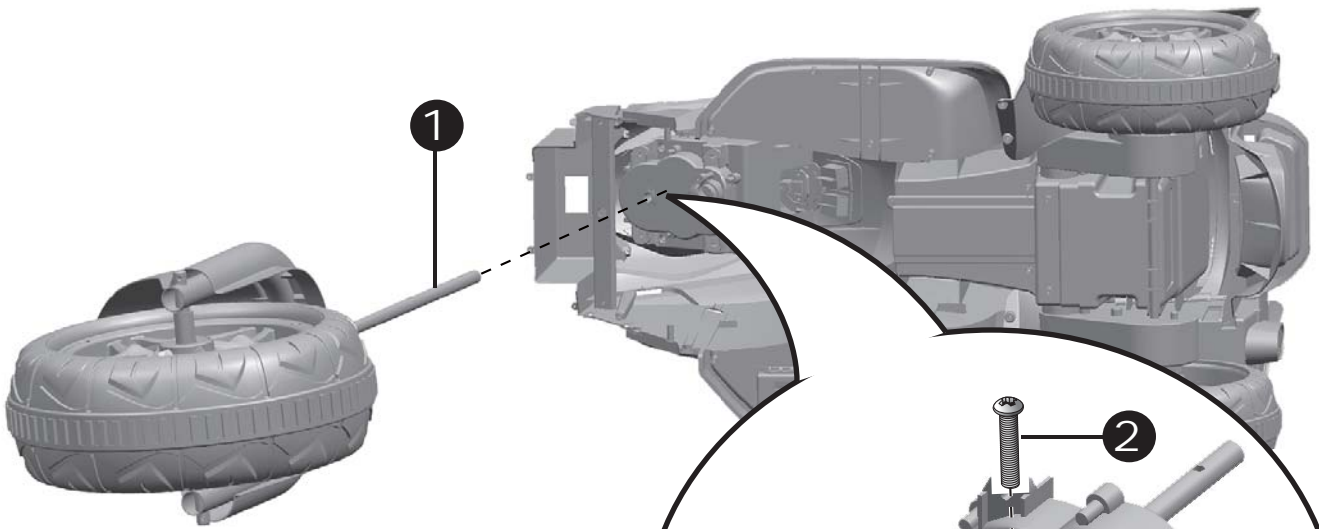
4. Slide a $\Phi 10$ washer onto the rear axle.
5. Insert a split pin into the hole at the end of the rear axle, bend the ends of split pin back using a long nose pliers.
6. Fit the wheel cover ring to the wheel cover.
7. Fit the wheel cover to the wheel.



8. Repeat the same steps(1-7) for the other rear wheel.

D

Assembly



Turn the vehicle body on its side.

1. Insert the front wheel assembly into the hole in the vehicle body.

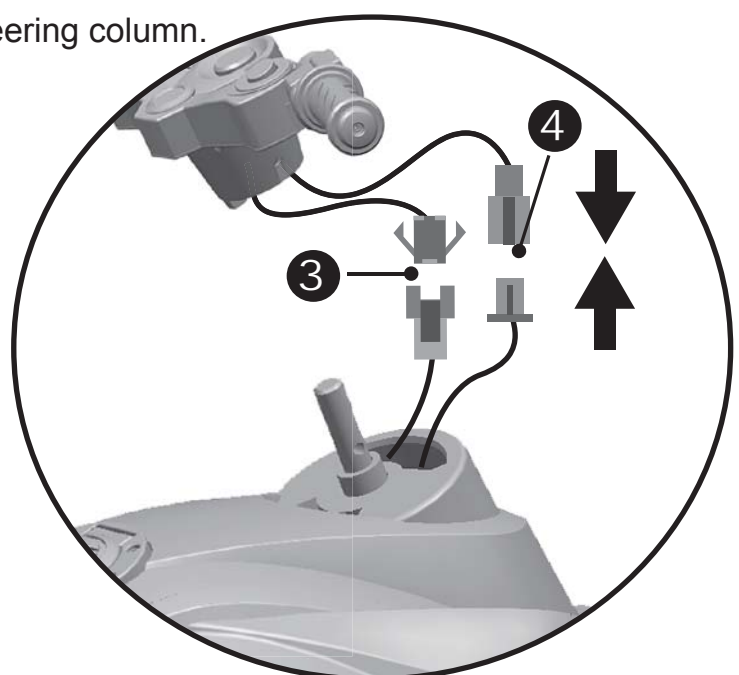
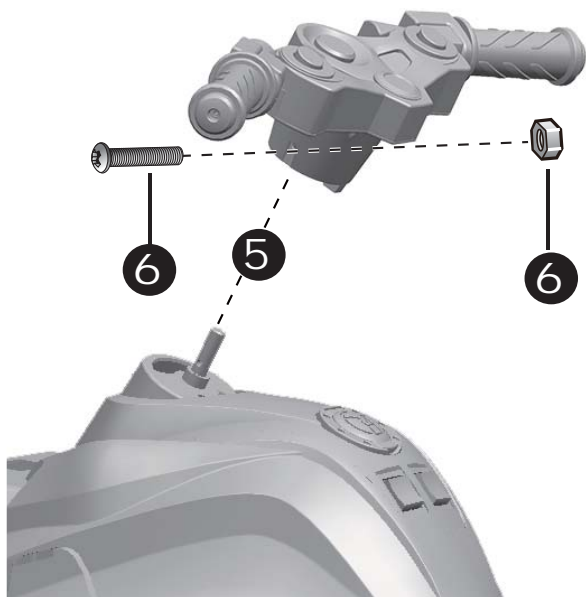
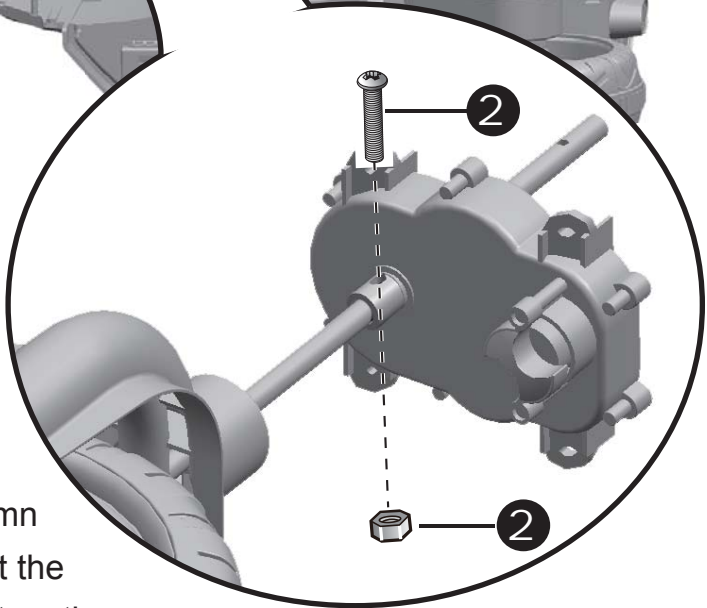
2. **procedure 2 only for the vehicle with the remote control function.**

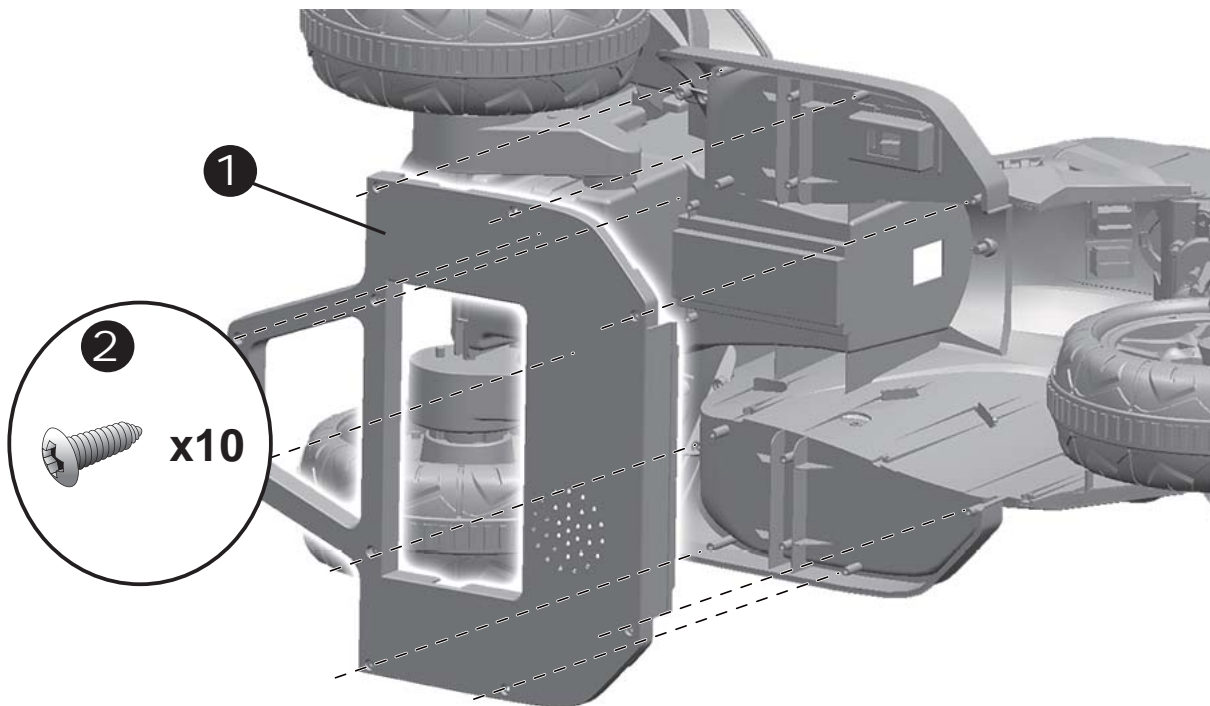
Line up the **lower hole** in the steering column with the hole in the steering gear box, insert the M5x25 machine screw and tighten a Ø5 nut on the opposite to secure the steering wheel to the steering column.

3,4 Plug the connectors into each other.

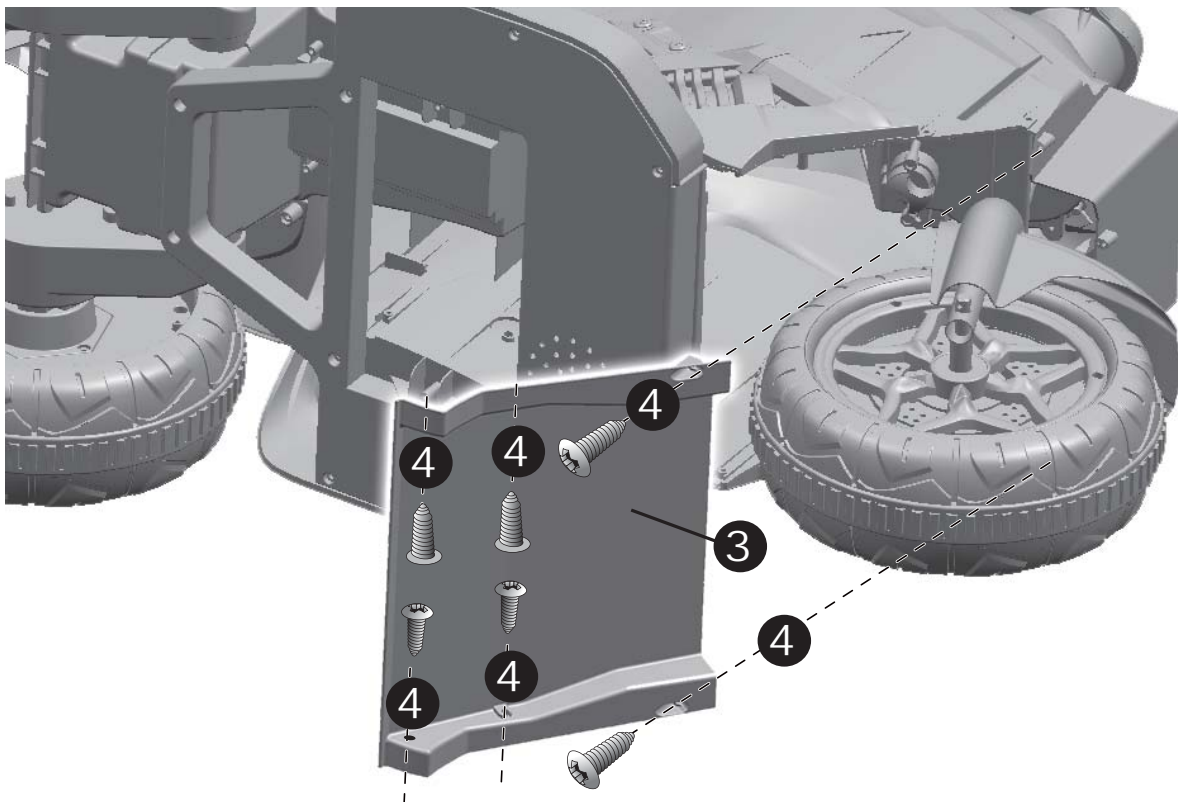
5. Fith handle bar to the end of the steering column.

6. Insert the M5x60 machine screw and tighten a Ø5 nut on the opposite to secure the handle bar to the steering column.





1. Fit the vehicle body board to the vehicle body,
2. Tighten ten $\text{\O}4 \times 18$ screws to secure the vehicle body board to the vehicle body.



1. Fit the vehicle body board to the vehicle body,
2. Tighten six $\text{\O}4 \times 18$ screws to secure the vehicle body board to the vehicle body.

D

Assembly



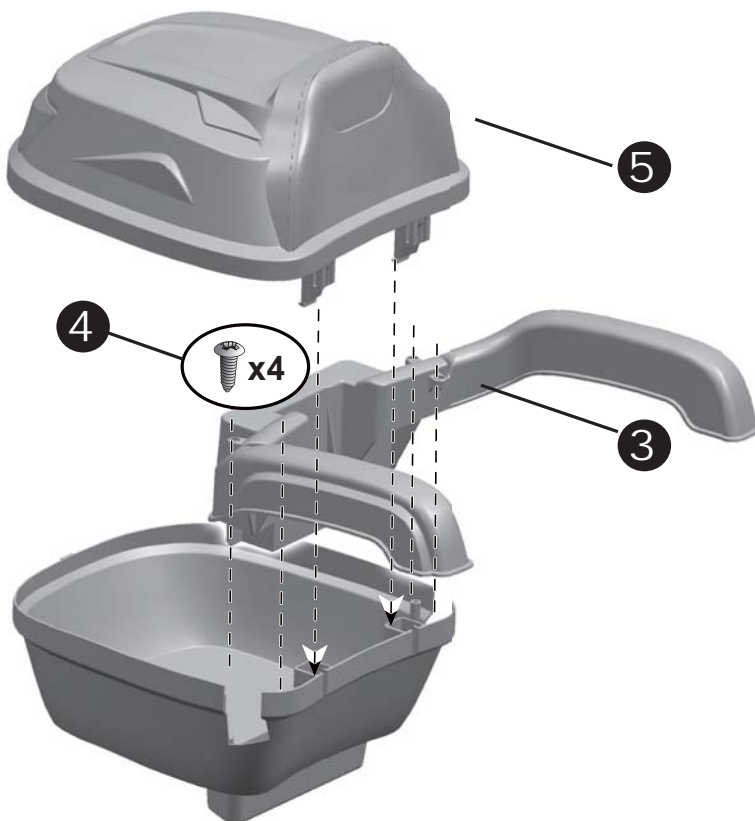
1. Turn the toolbox cover downside up. Fit the toolbox connector to the toolbox cover.

2. Insert the 15mm steel wire to secure the toolbox connector to the toolbox cover.

Repeat the other side.

Assemble the toolbox with armrest

3. Fit the armrest to the toolbox base
4. Tighten four Ø4x12 screws to secure the armrest to the toolbox base.
5. Insert the tabs in the toolbox connector into the holes in the toolbox the toolbox cover.



Assemble the toolbox without armrest

6. Insert the tabs in the toolbox connector into the holes in the toolbox the toolbox cover.

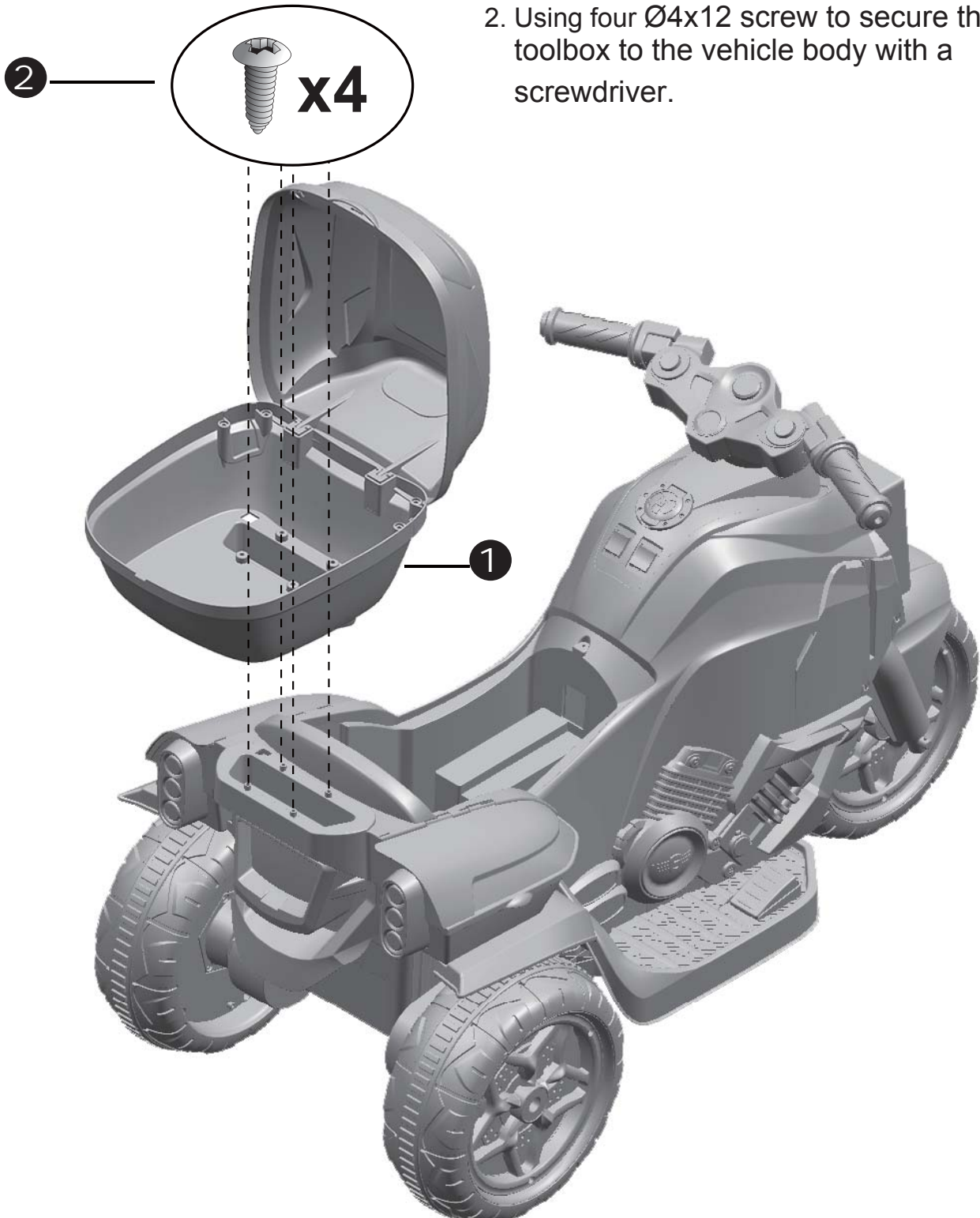


Assembly

D

Turn the vehicle body upright.

1. Keep the toolbox opening, and fit it the vehicle body.
2. Using four Ø4x12 screw to secure the toolbox to the vehicle body with a screwdriver.

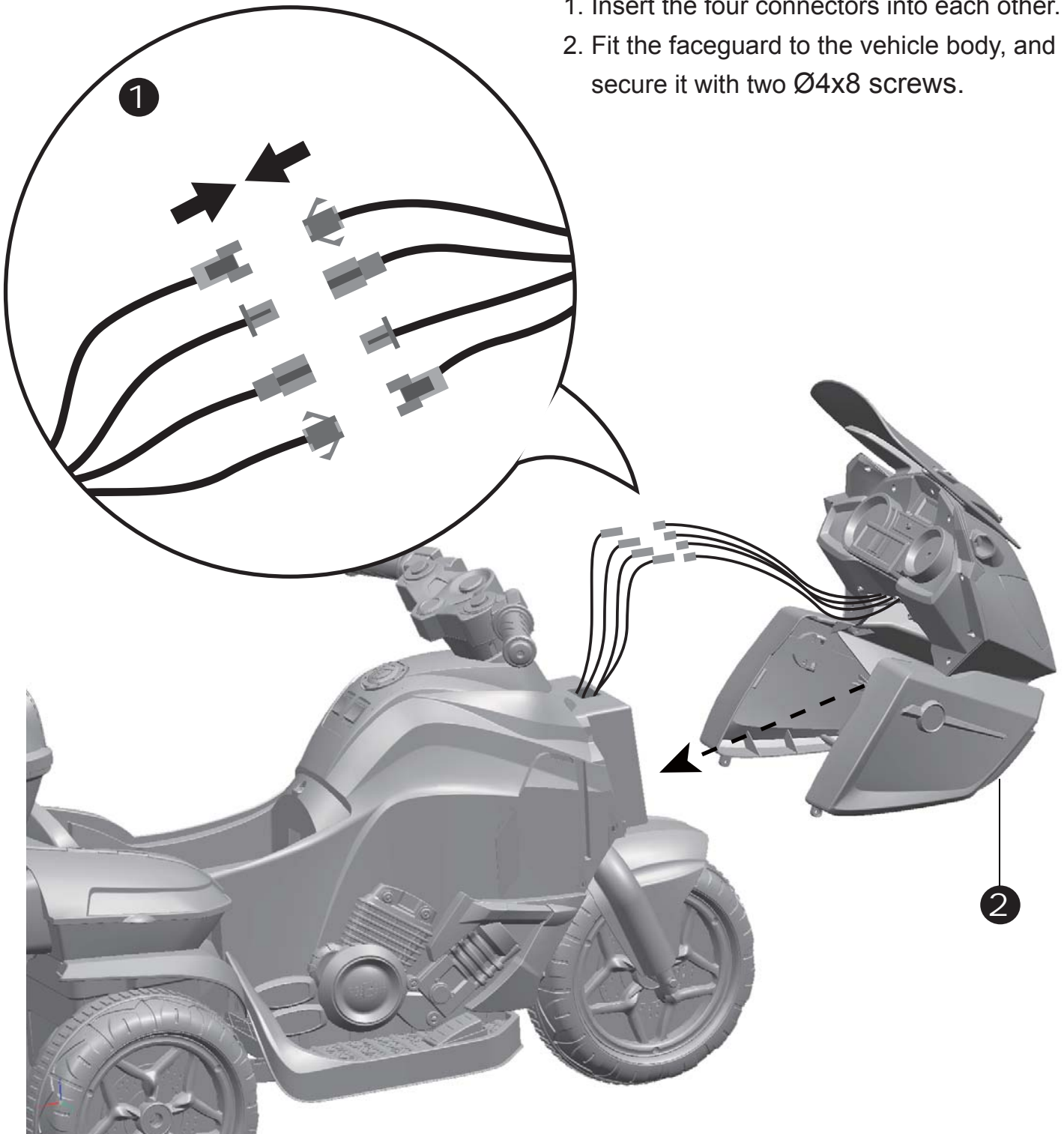


D

Assembly

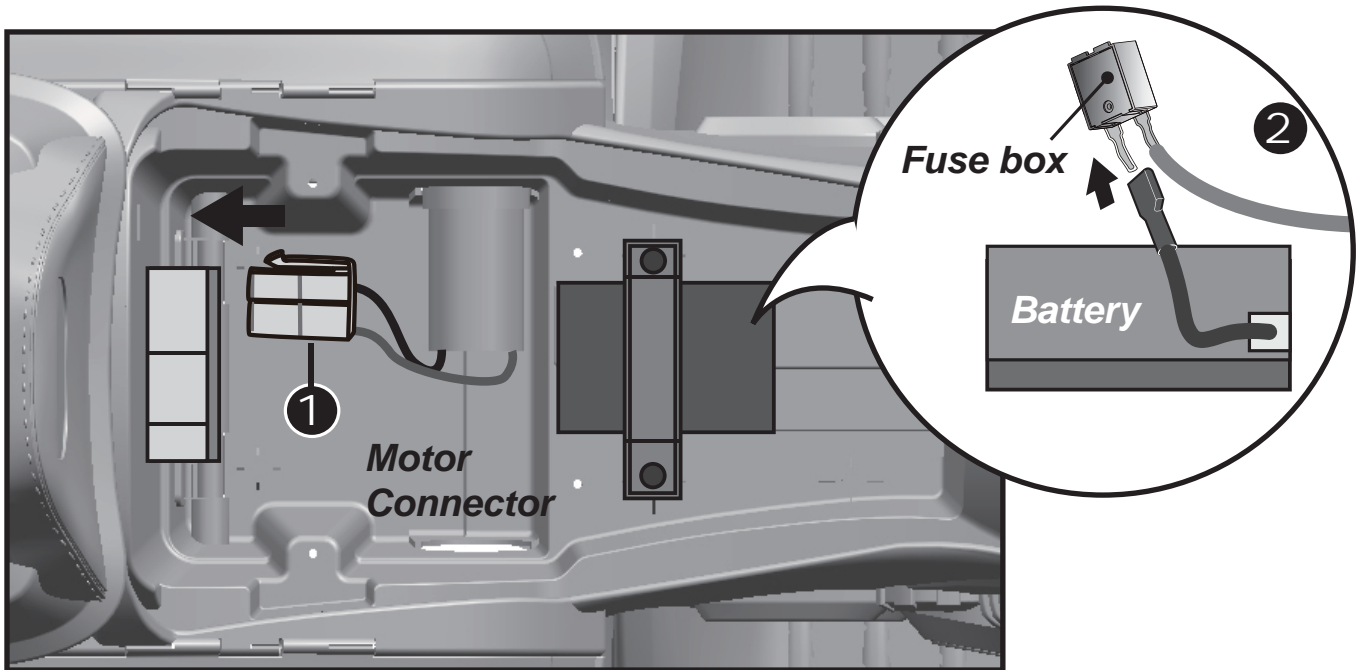
Turn the vehicle body upright.

1. Insert the four connectors into each other.
2. Fit the faceguard to the vehicle body, and secure it with two $\text{\O}4 \times 8$ screws.



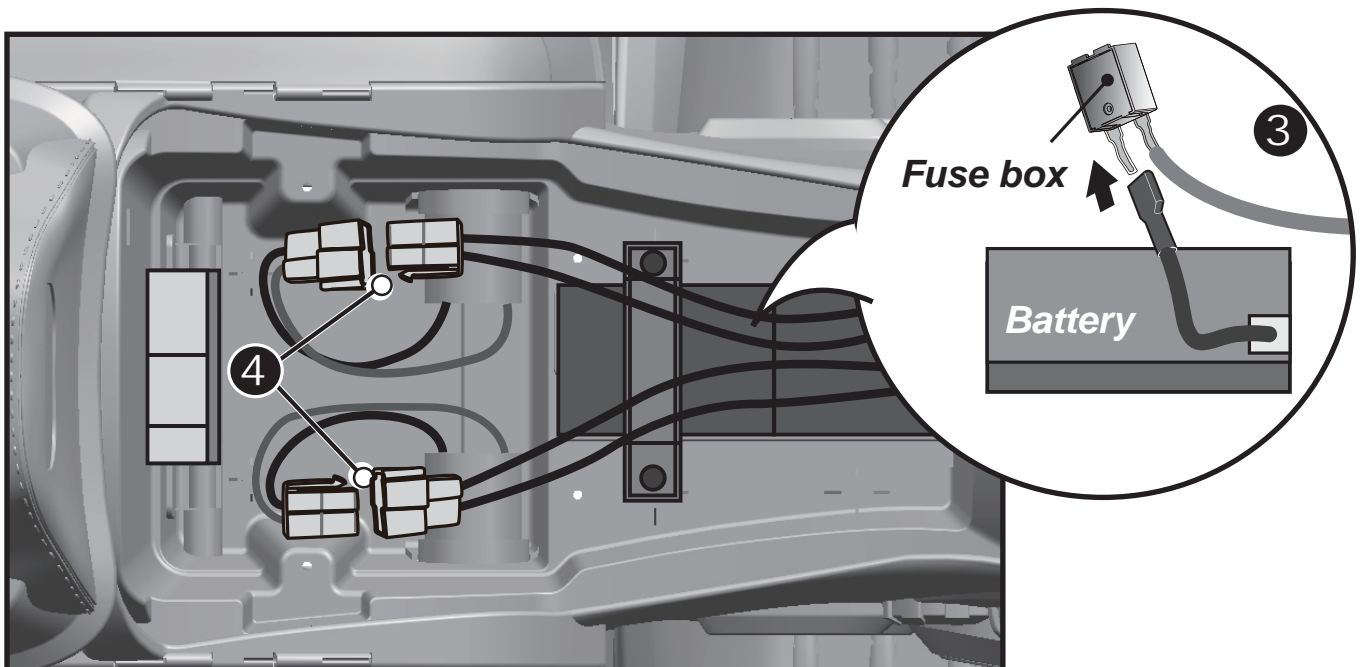


1. Insert the tabs in the mirror into the hole in the faceguard, and push it until you hear it “snap” into place. Repeat the same procedure for the remaining mirror.



1WD

1. Plug the Motor connector into connector in the vehicle body.
2. Plug the connector on the battery into the connectr on the fuse box.



2WD

3. Plug the Motor connectors into vehicle connectors.
4. Plug the connector on the battery into the connectr on the fuse box.



1. Fit the tabs of the seat into the slots in the vehicle body.
2. Fasten a $\text{Ø}4 \times 12$ screws with a screwdriver to secure it to the vehicle body

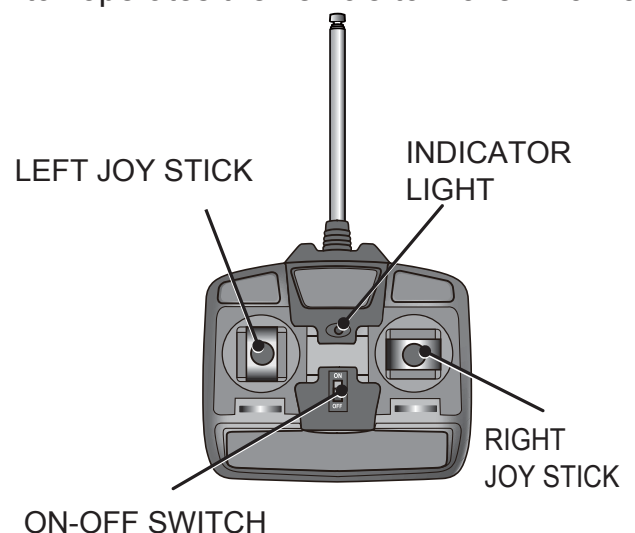


1. **Power Switch:** Turns the vehicle on and off.
2. **Shift Lever:** Changes the direction the vehicle moves from forward to reverse.
3. **Sounds buttons:** Press for sounds playing.
4. **Volume knob (OPTIONAL):** Turn the knob clockwise to increase the volume; Turn the knob counterclockwise to decrease the volume.
5. **Foot pedal:** Applies power (speed) to the vehicle.
 - To move the car, press the pedal down.
 - To brake or slow down, release pressure from the pedal.
6. **Digital voltmeter (OPTIONAL):** Display how much power is remaining in the battery.
7. **Foot - R/C switch (OPTIONAL):** Change the operating mode, foot-operate or R/C-operate.
8. **3.5 mm Audio input connector (OPTIONAL)**
9. **High/Low speed switch (OPTIONAL):** The switch operates the vehicle to move in low or high speed.

ASSEMBLY

1. Insert the antenna into the controller by tweak the antenna clockwise;
2. Lift the battery compartment door on the back of the controller and insert two AA(LR6) batteries.

NOTE: This product does not include the AA(LR6) batteries.



Charging

F



- The POWER SWITCH must be turned in **OFF** position when charging.
- Before the first use, you should charge the battery for 4-6 hours. Do not recharge the battery for more than 10 hours to avoid overheating the charger.
- When the vehicle begins to run slowly, recharge the battery.
 1. Open the tank cap. Plug the charger port into the input socket.
 2. Plug the charger plug into a wall outlet. The battery will begin charging.

Maintaining

G

- It is parents' responsibility to check main parts of the toy before using, Must regularly examine for potential hazard, such as the battery, charge, cable or cord, plug, screws are fastening enclosure of other parts and that in the event of such damage, the toy must not be until that damage had been properly removed.
- Make sure the plastic parts of the vehicle are not cracked or broken.
- Occasionally use a lightweight oil to lubricate moving parts such as wheels.
- Park the vehicle indoors or cover it with a tarp to protect it from wet weather.
- Keep the vehicle away from sources of heat, such as stoves and heaters. Plastic parts may melt.
- Recharge the battery after each use. Only an adult can handle the battery. Recharge the battery at least once a month when the vehicle Raider is not being used.
- Do not wash the vehicle with a hose. Do not wash the vehicle with soap and water. Do not drive the vehicle in rainy or snowy weather. Water will damage the motor, electric system and battery.
- Clean the vehicle with a soft, dry cloth. To restore shine to plastic parts, use a non-wax furniture polish. Do not use car wax. Do not use abrasive cleaners.
- Do not drive the vehicle in loose dirt, sand or fine gravel which could damage moving parts, motors or the electric system.
- When not using, all the electrical source should be turn off. Turn off the power switch and disconnect the battery connection.



Our products are suitable for ASTM F963; GB6675; EN71 and EN62115 standard.