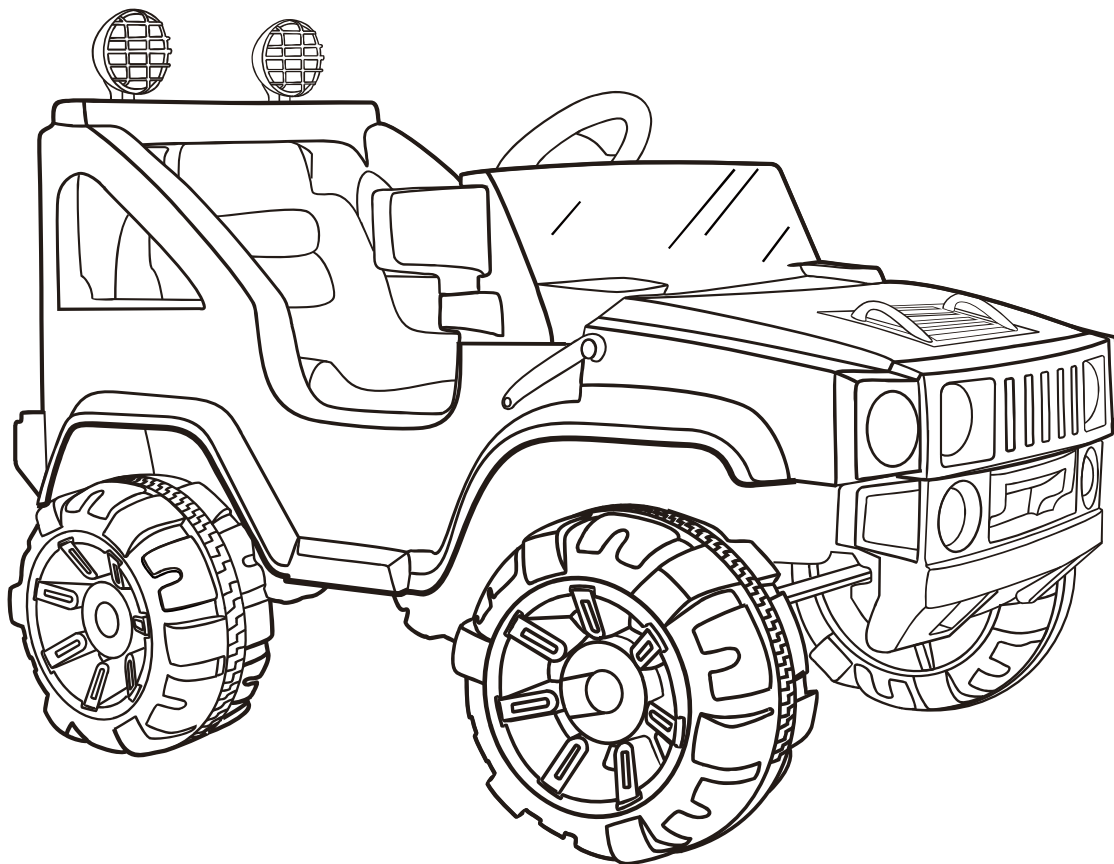


ELEKTRO KINDERAUTO HUMMER A30

Mit Fernbedienung



- Suitable for 37~96 months
- Maximum user weight: 30kg
- Adult assembly required

OWNER'S MANUAL

Read and understand this entire manual before using!

Please keep this manual for future reference as it contains important information.

Before first time use, charge the battery for at least 4-6 hours.

CAUTION



WARNING

CHOKING HAZARD - Small parts.
Not suitable for children under 37
months.



Use the vehicle on generally level ground ONLY!



IMPORTANT

1WD

This label means the information or assembly for *One Wheel Drive* version ONLY!

2WD

This label means the information or assembly for *Two Wheels Drive* version ONLY!

H/L SPEED

This label means the information for *High/Low Speed* version ONLY!



WARNING!

FOR THE SAFETY OF YOUR CHILD, PLEASE READ ALL WARNINGS AND ASSEMBLY/USE INSTRUCTIONS. KEEP THIS GUIDE FOR FUTURE REFERENCE.

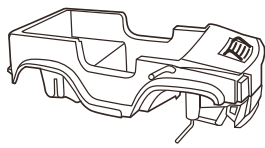
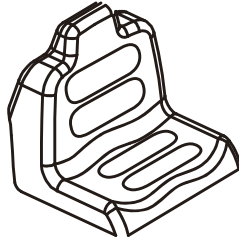
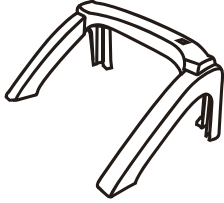
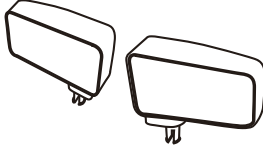
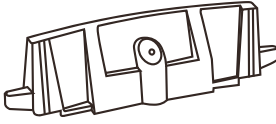
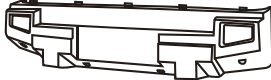
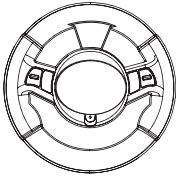
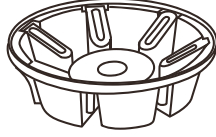
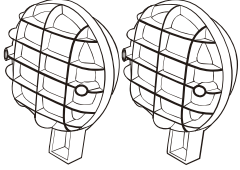
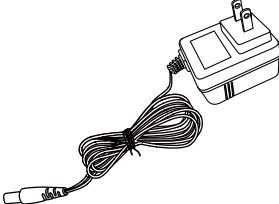
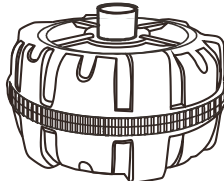
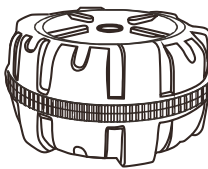
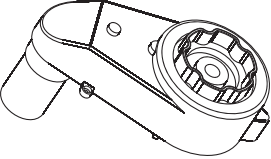
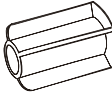
- **ADULT ASSEMBLY REQUIRED.** The product contains small parts, which are for adult assembly only. Keep children away when assembling.
- Always remove protective material and poly bags and dispose before assembly.

ABOUT YOUR NEW VEHICLE

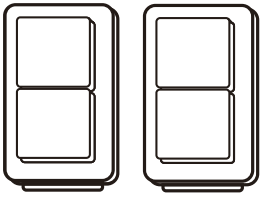
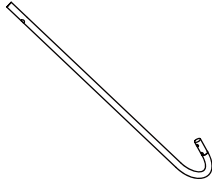
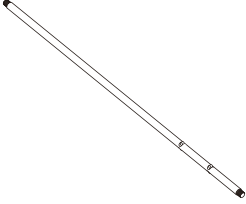

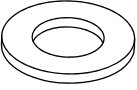

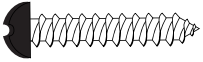
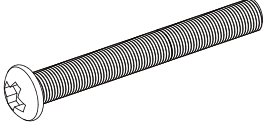

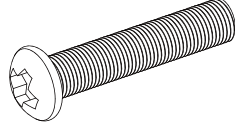
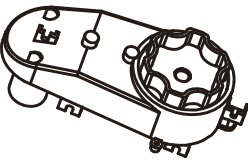
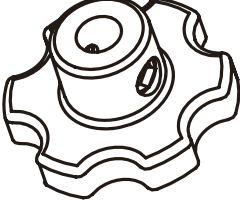

Thank you for your purchasing our products, we want your child to enjoy this product for years to come. Keep these points in mind as you read this guide:

Battery & Fuse:	1WD 6V10AH x1(Fuse: 10A), 2WD 6V10AH x2 (Fuse: 10A) H/L SPEED 6V10AH x2 (Fuse: 13A and 5A)		
Load Capacity:	Under 30KGS	Size of car:	118 x 67 x 76.5 CM
Suitable age:	37~96 months	Speed:	1WD 3KM/H 2WD 3~5KM/H
Average battery life:	Approximately 300 times	Charger:	Input: depend on local voltage Output: DC DC6V1A or DC12V1A
Charge time:	8-12 Hours	Power way:	Charging type

PARTS LIST


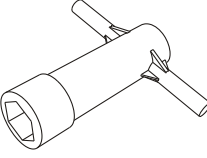

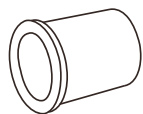


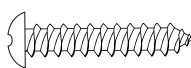
PART NO.	PART NAME	PICTURE	Q'ty (pcs)	REMARKS	PART NO.	PART NAME	PICTURE	Q'ty (pcs)	REMARKS
1	Vehicle body		1		2	Seat		1	
3	Light bar		1		4	View Mirror		2	
5	Dashboard		1		6	Rear bumper		1	
7	Steering wheel		1	Placed in the assembly package	8	Wheel cover		4	
9	Searching light		2		10	Charger		1	
11	Driving wheel		1WD x1 2WD x2		12	Wheel		1WD x3 2WD x2	
13	Gear box		1WD x1 2WD x2		14	Inner bush		1WD x3 2WD x2	

PARTS LIST

PART NO.	PART NAME	PICTURE	Q'ty (pcs)	REMARKS	PART NO.	PART NAME	PICTURE	Q'ty (pcs)	REMARKS
15	Tailight		2		16	Steering shaft		1	
17	Rear axle		1		18	Ø10 Locknut		4	Placed on the front axle and rear axle.
19	Ø12 wahser		8	Placed on the front axle and rear axle.	20	Ø5 nut		1	Placed on the steering wheel.
21	Ø4x16 round head screw		2	Placed on the vehicle body	22	M5x45 machine screw		1	Placed on the steering wheel.
23	Remote controller		1		24	M5x20 machine screw		1	Placed on the remote control device
25	Direction motor		1		26	Remote control device		1	
27	Ø5 locknut		1	Placed on the Remote control device.					

PARTS LIST

Assembly package

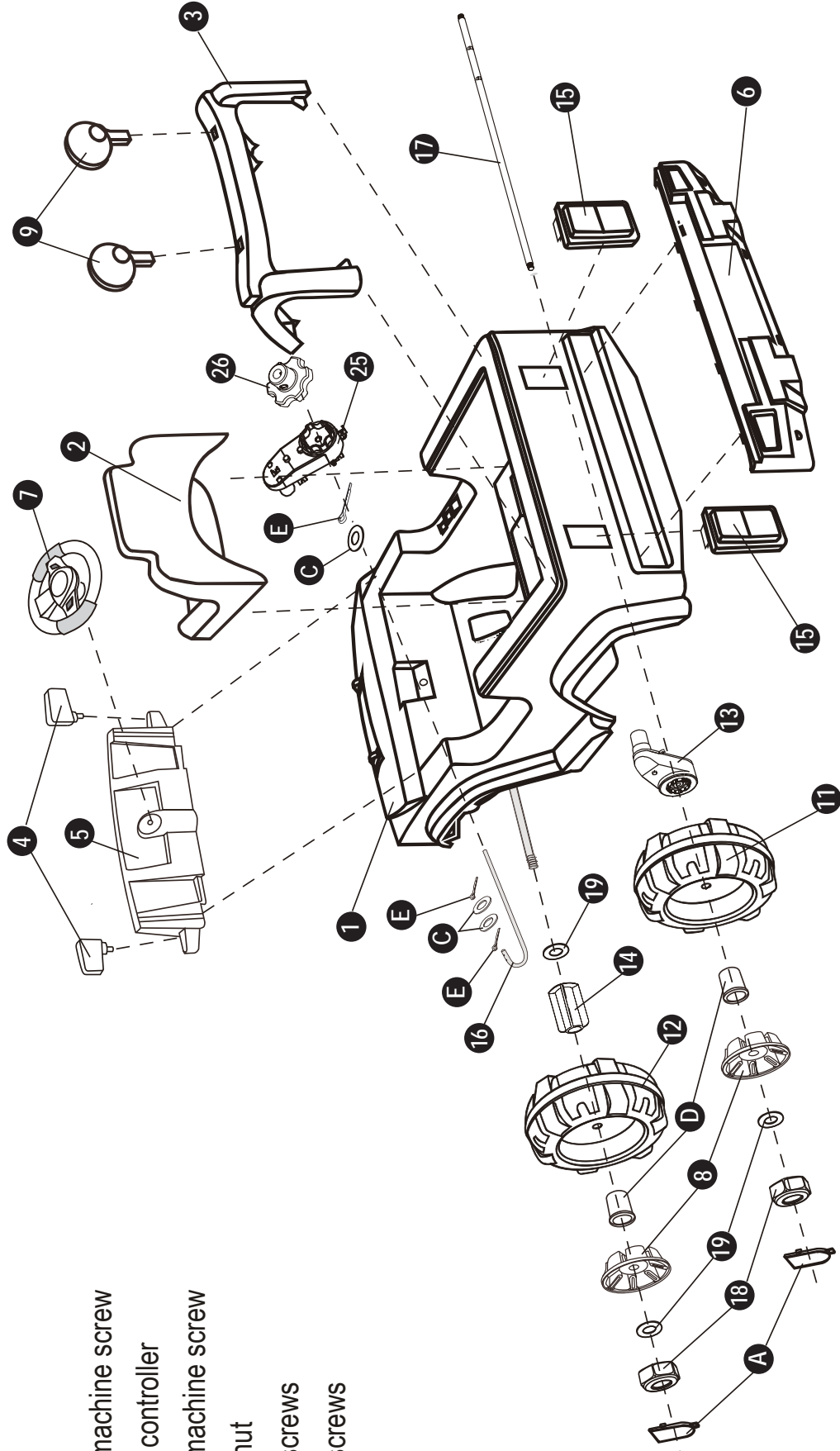
PART NO.	PART NAME	PICTURE	Q'ty (pcs)	REMARKS	PART NO.	PART NAME	PICTURE	Q'ty (pcs)	REMARKS
A	Cap nut		4		B	Spanner		2	
C	Ø10 wahser		3		D	Ø12 Outer bush		8	
E	Split pin		3		F	Ø4x12 screw		4	
G	Ø4x16 screw		4						

PARTS DIAGRAM

NOTE: Some parts shown are assembled on both sides of vehicle.

Parts Not Shown:

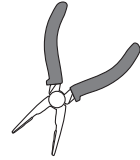
- 10 Charger
- 20 Ø5 nut
- 22 M5x45 machine screw
- 23 Remote controller
- 24 M5x20 machine screw
- 27 Ø5 locknut
- F Ø4x12 screws
- G Ø4x16 screws



Tools Required



Screwdriver(not included)



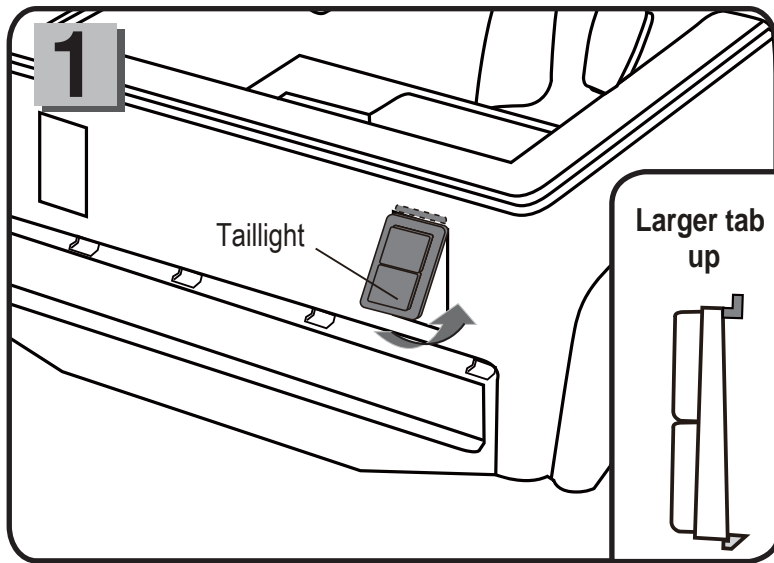
Pliers(not included)



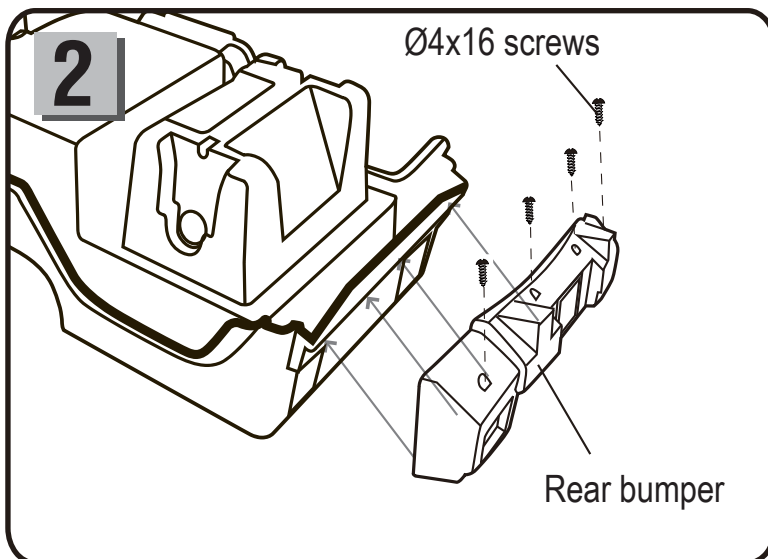
Spanner

ASSEMBLY STEPS

- **Your new vehicle requires adult assembly.** Please set aside at least 40 minutes for assembly. Children can be harmed by small parts, sharp edges and sharp points in the vehicle's unassembled state. Care should be taken in unpacking and assembly of the vehicle. Children should not handle parts, or help in assembly of the vehicle.
- Please identify all parts before assembly and save all packaging material until assembly is complete to ensure that no parts are discarded.
- Assembly tool for need: screwdriver(not included) , pliers(not included)and spanner.

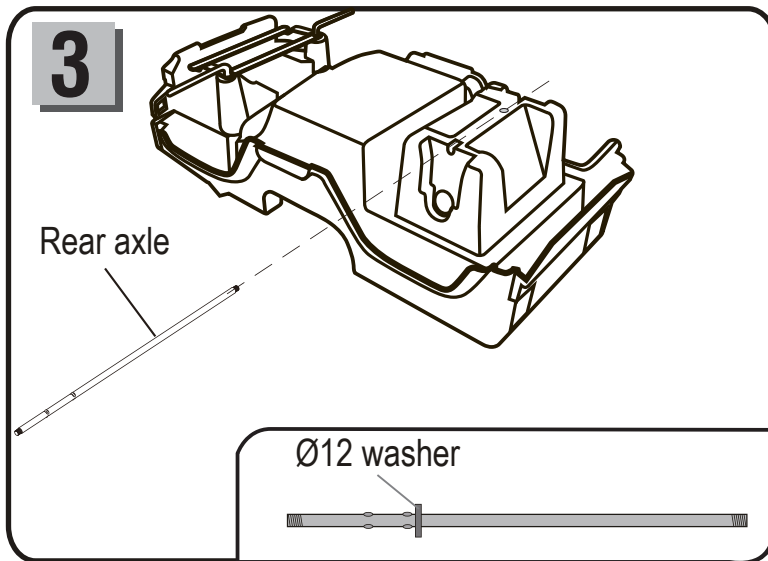


- Insert the larger tab of taillight through square opening in the vehicle. Push other end to click the taillight into place.
- Repeat for the other taillight.

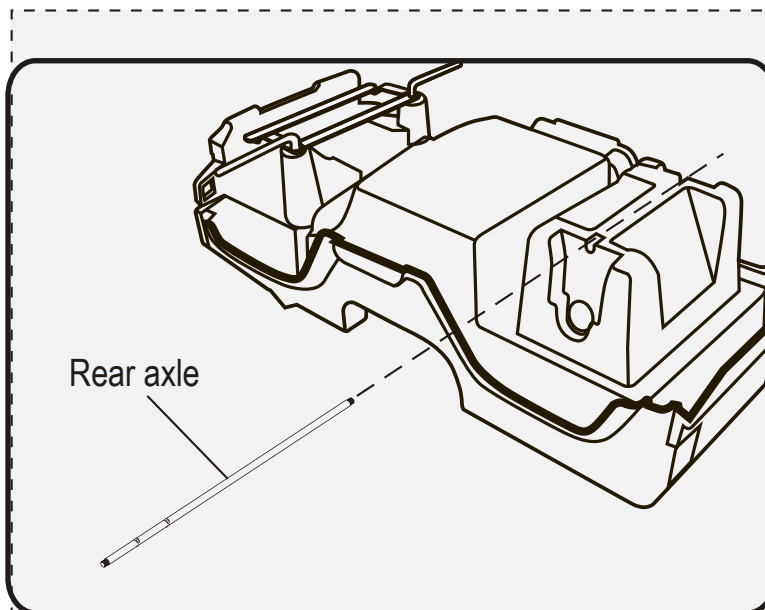


- Turn the vehicle body upside down.
- Insert the tabs on the rear bumper into the slots in the vehicle body, insert four Ø4x16 screws and tighten with a screwdriver.

ASSEMBLY STEPS



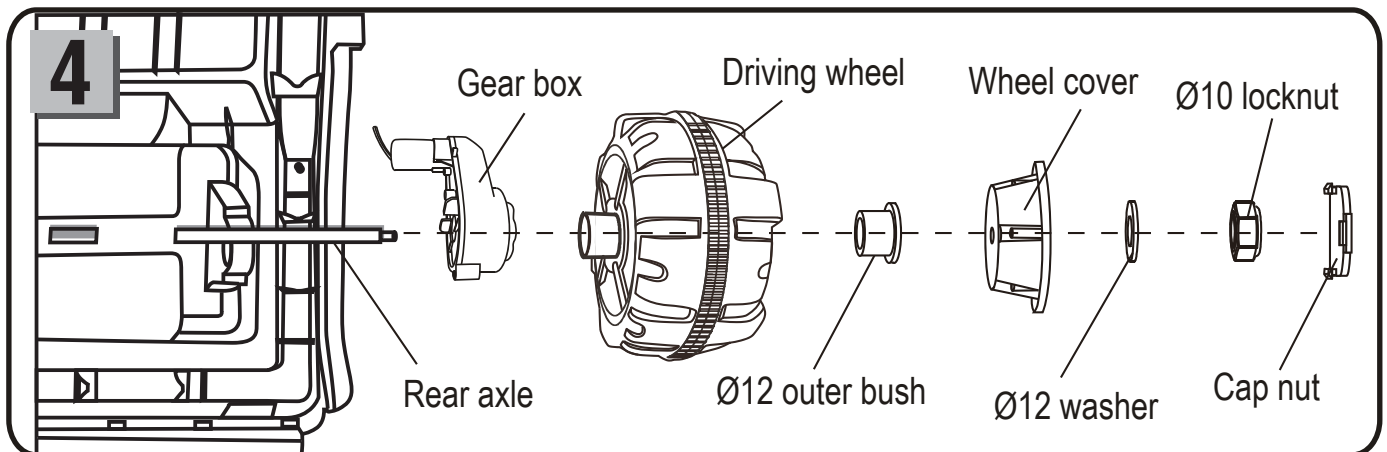
- Turn the vehicle body downside **1WD** up.
- Remove all the parts from the rear axle.
- Slide a Ø12 washer onto the rear axle from the longer end.
- Insert the rear axle through the hole in vehicle body.



- Turn the vehicle body downside up.
- Remove all the parts from the rear axle.
- Insert the rear axle through the hole in the vehicle body.

2WD

ASSEMBLY STEPS



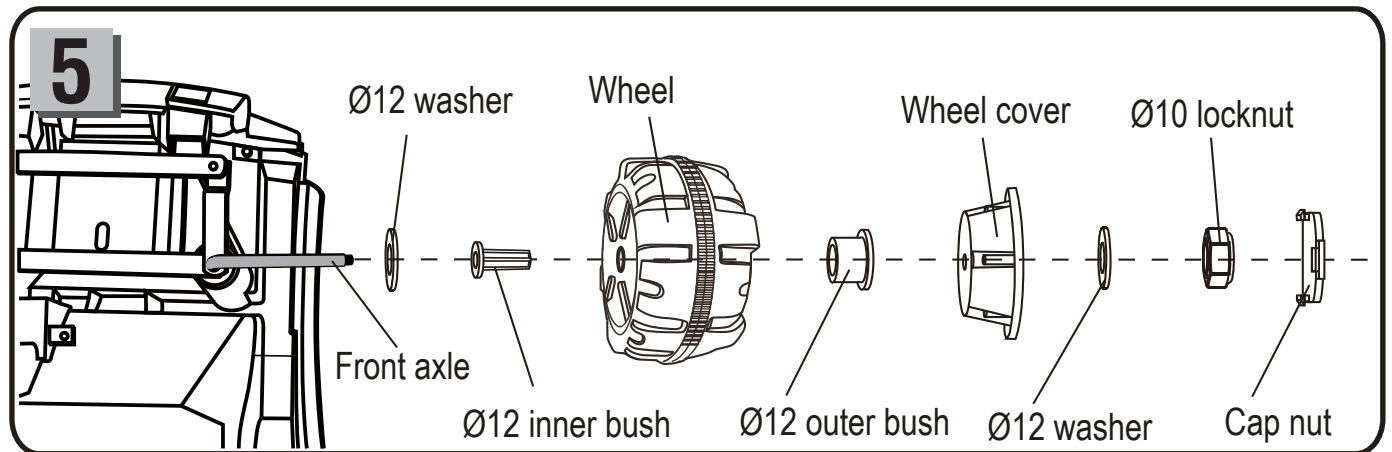
- Fit the gear box onto the rear axle from the right side.(Face the rear of the vehicle)
- Fit the driving wheel onto the rear axle, the driving wheel should match with the gear box.
- Fit a Ø12 outer bush onto the rear axle, the outer bush should match with the driving wheel.
- Fit a wheel cover onto the rear axle.
- Fit a Ø12 washer onto the rear axle.
- Fit a Ø10 locknut to the end of the rear axle and tighten with the spanner. DO NOT over-tighten.
- Insert the tabs on the cap nut into the slots in the wheel cover and make it click into place.

1WD

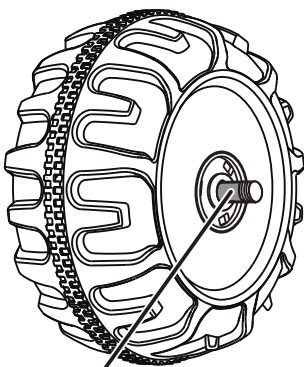
- Fit the gear box onto the rear axle, make the motor on the gear box pass through the hole in the vehicle body wall.(NOTE: "R" labeled gear box should be fit to the "R" side of vehicle body; "L" labeled gear box should be fit to the "L" side of vehicle body)
- Fit the driving wheel onto the rear axle, the driving wheel should match with the gear box.
- Fit a Ø12 outer bush onto the rear axle, the outer bush should match with the driving wheel.
- Fit a wheel cover onto the rear axle.
- Fit a Ø12 washer onto the rear axle.
- Fit a Ø10 locknut onto the end of the rear axle and tighten with the spanner. (DO NOT over-tighten)
- Insert the tabs on the cap nut into the slots in the wheel cover and make it click into place.
- Repeat for the other driving wheel.

2WD

ASSEMBLY STEPS



- Remove all the parts from the front axle.
- Fit a Ø12 washer onto the front axle.
- Fit a Ø12 inner bush onto the front axle.
- Fit a wheel onto the front axle and keep the inner bush match with the wheel.
- Fit a Ø12 outer bush onto the front axle and keep it match with the wheel.
- Fit the wheel cover onto the front axle.
- Fit a Ø10 locknut to the end of the front axle and tighten with the spanner. (DO NOT over-tighten, keep the wheel can run smoothly)
- Insert the tabs on the cap nut into the slots in the wheel cover and make it click into place.
- Repeat for the other two wheel(s).

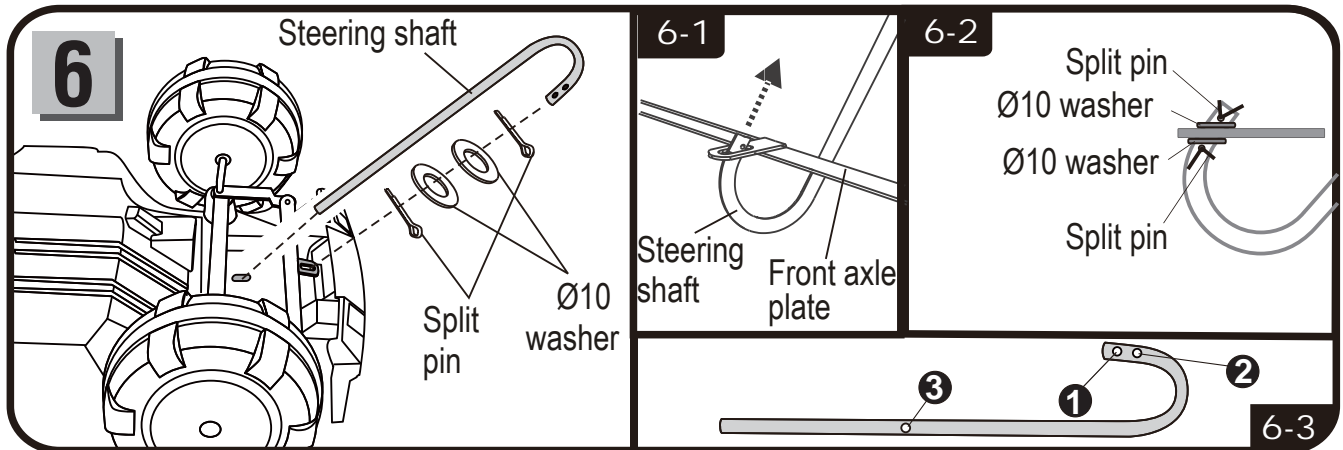


GAP

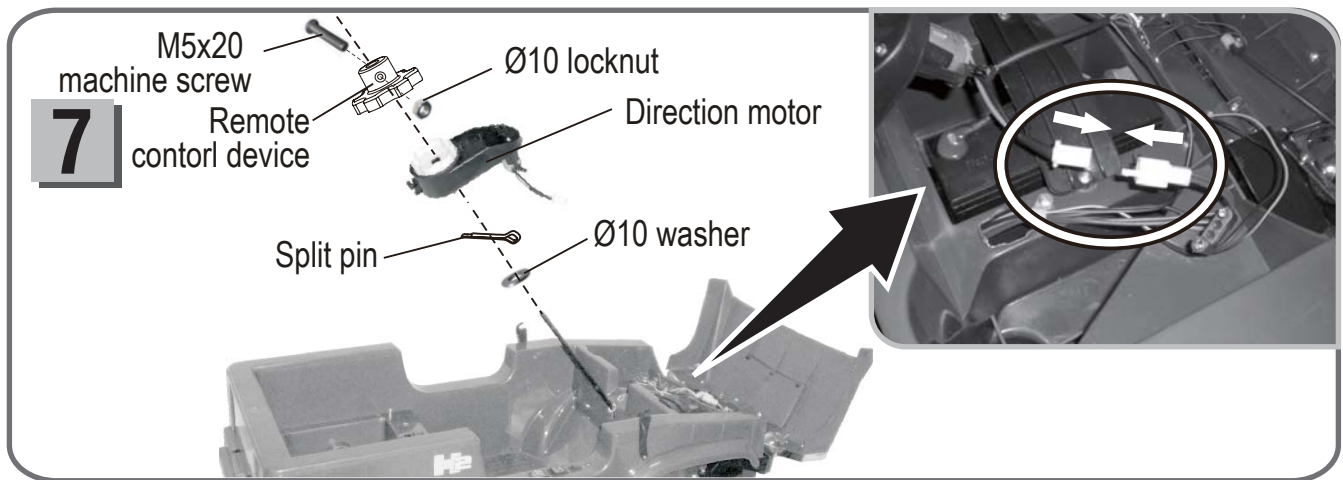
IMPORTANT SUPPLEMENT TO INSTRUCTION MANUAL

After assembling any wheel to the axles, please check the gap between the screw thread and the collapsible (refer to below picture), if the gap is too big, please add two or three washers inside the wheel, But after tightening the nut outside the wheel, please turn the wheel by your finger to check if the wheel can run smoothly, this is very important, because if the wheel can run smoothly, it is ok, but if the nut press the wheel and the wheel can't run smoothly, the motor will be broken easily! Then you need to decrease one or two washers to make sure the wheel can run smoothly!

ASSEMBLY STEPS

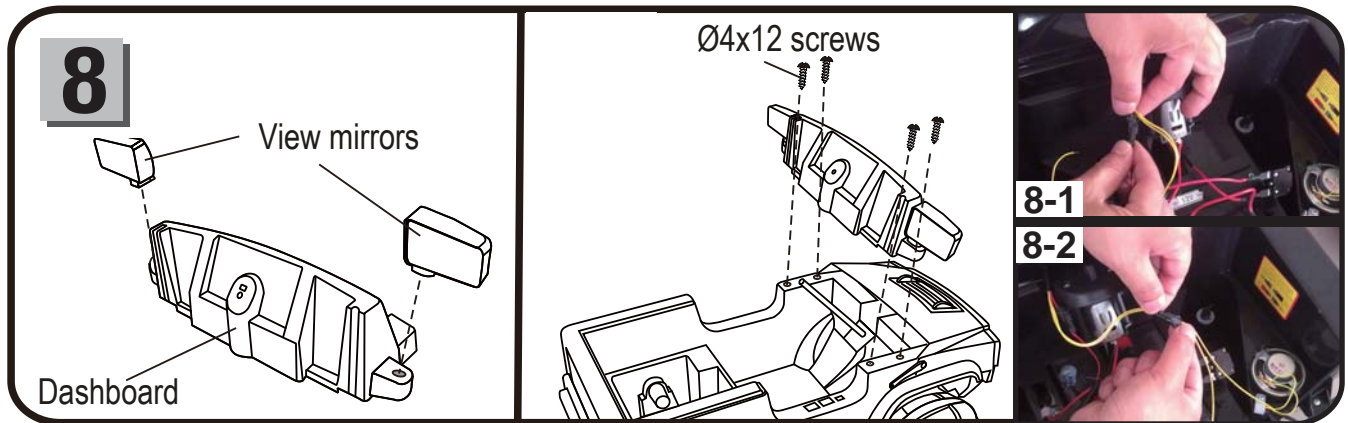


- Turn the vehicle body on its side.
- Insert the straight end of the steering shaft through the hole in the vehicle body.
- Insert a split pin through the hole ② in the steering shaft, bent the ends of the split pin back using a pair of pliers. Fit and hold a Ø10 washer onto the steering shaft. Insert the bend end of the steering shaft in the hole in the front axle plate (image 6-1). Fit another Ø10 washer onto the steering shaft. Insert another split pin through the hole ① in the steering shaft, bent the ends of the split pin back using a pair of pliers.

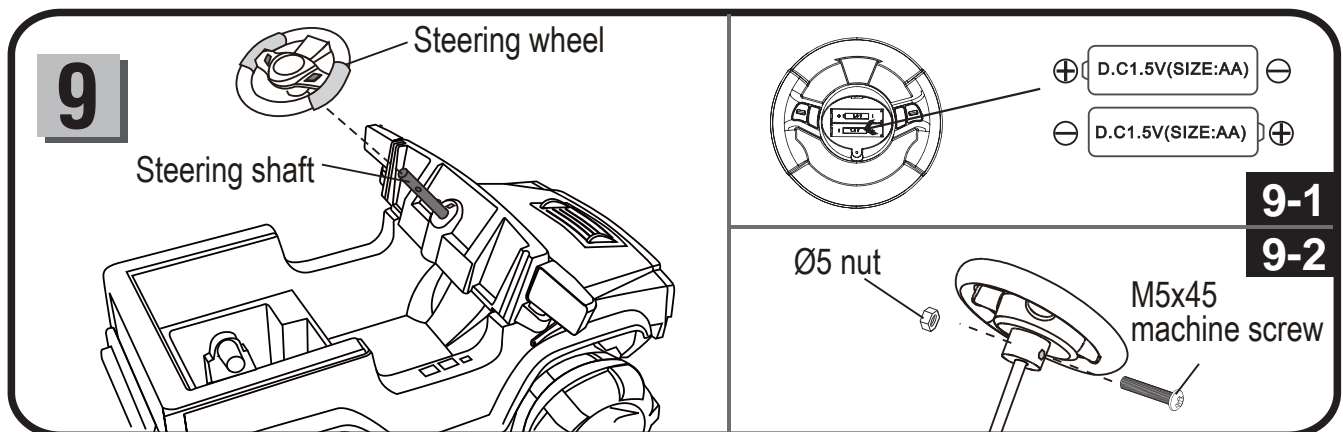


- Turn the vehicle body upright.
- Turn the bonnet latches on the both sides of vehicle and open the bonnet.
- Fit a Ø10 washer onto the steering shaft. And insert a split pin through the hole③ (image 5-3) in the steering shaft, bent the ends of the split pin back using a pair of pliers.
- Fit the direction motor onto the steering shaft.
- Fit the remote control device onto steering shaft, make the remote control device match with the direction motor. Line up the hole in the remote control with the hole in the steering shaft. Insert the M5x20 machine screw and Ø5 locknut back in the same location, and tighten with a screwdriver.
- Plug the connector on the steering motor into the connector on the vehicle body. Push firmly to make sure the connectors are completely joined.

ASSEMBLY STEPS



- Fit the view mirror into the hole in the vehicle body and push until you hear it click into place.
- Repeat for the other side.
- Fit the dashboard assembly against the vehicle and keep the steering shaft pass through the hole in the dash.
- Plug the Red and Black wires connectr on the dash into the Red and Black wires connector on the vehicle (image 8-1), plug the Yellow wires connectr on the dash into the Yellow connector on the vehicle (image 8-2).
- Insert four Ø4x12 screws and tighten with a screwdriver.

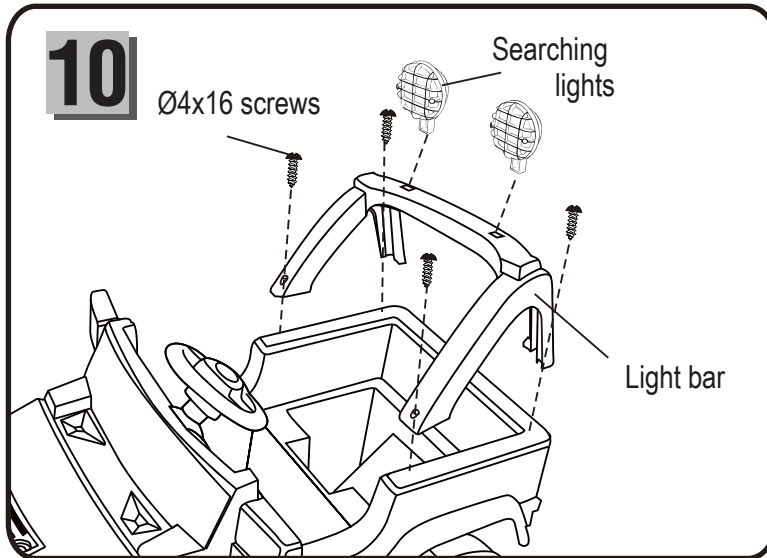


- Use a screwdriver to remove the battery cover and insert two dry(AA) batteries, replace the battery cover.(image 9-1)

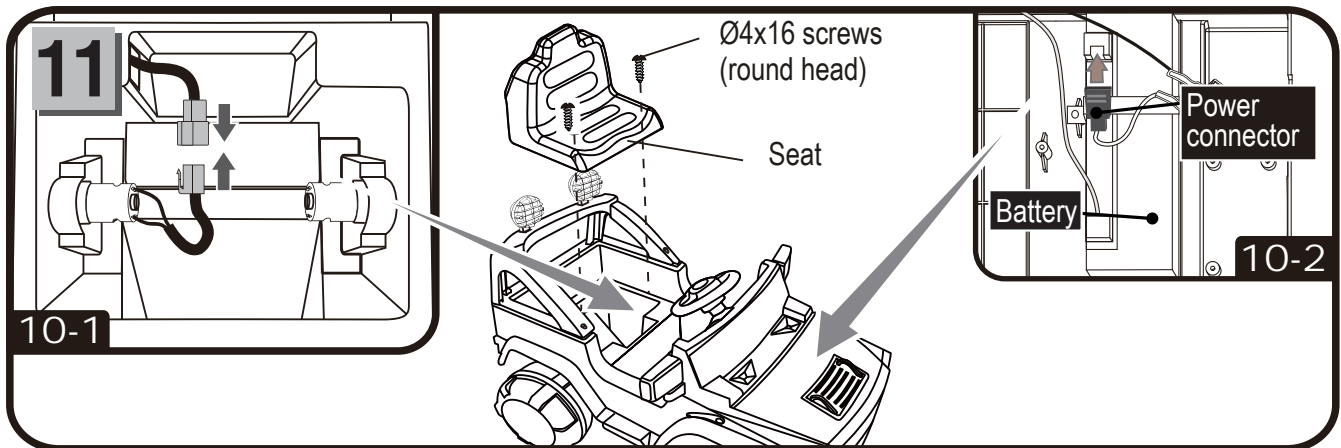
NOTE: The product does not included dry(AA) battery.

- Remove the M5x45 machine screw and Ø5 nut from the steering wheel.
- Insert the steering wheel onto the end of the steering shaft.
- Insert the M5x45 machine screw through the steering wheel and steering shaft, and tighten the Ø5 nut. (image 9-2)

ASSEMBLY STEPS



- Inset the tabs on searching light into the hole in the light bar, and push until you hear it click into place.
- Repeat for the other searching light.
- Fit and hold the light bar assembly against the vehicle body, insert four Ø4x16 screws through the light bar assembly and into the vehicle. Tighten the screws with a screwdriver.



- Plug the motor connector(s) into the vehicle connector(s) under the seat.(image 10-1)
- Remove Ø4x16 round head screws in the vehicle with a screwdriver.
- Fit the seat against the vehicle and tighten the screws with a screwdriver.
- Plug the power connector into the terminal on battery under the bonnet.(image 10-2)
- Close the bonnet.

HOW TO OPERATE YOUR VEHICLE

WARNING!

PREVENT INJURIES AND DEATHS:

- **NEVER LEAVE CHILD UNATTENDED. DIRECT ADULT SUPERVISION IS REQUIRED.** Always keep child in view when child is in vehicle.
- Never use in roadways, near cars, on or near steep inclines or steps, swimming pools or other bodies of water.
- Always wear shoes.
- Always sit on the seat.
- Suitable for age 37~96 months; Maximum user weight is 30kgs.

Must confirm before using that following work which is already finished:

- Important! Before using the vehicle for the first time, the battery needs to be charged for 4 to 6 hours, no more than 10 hours. Only an adult can charge or recharge the battery.
- Make sure all places with the screw has already been locked.

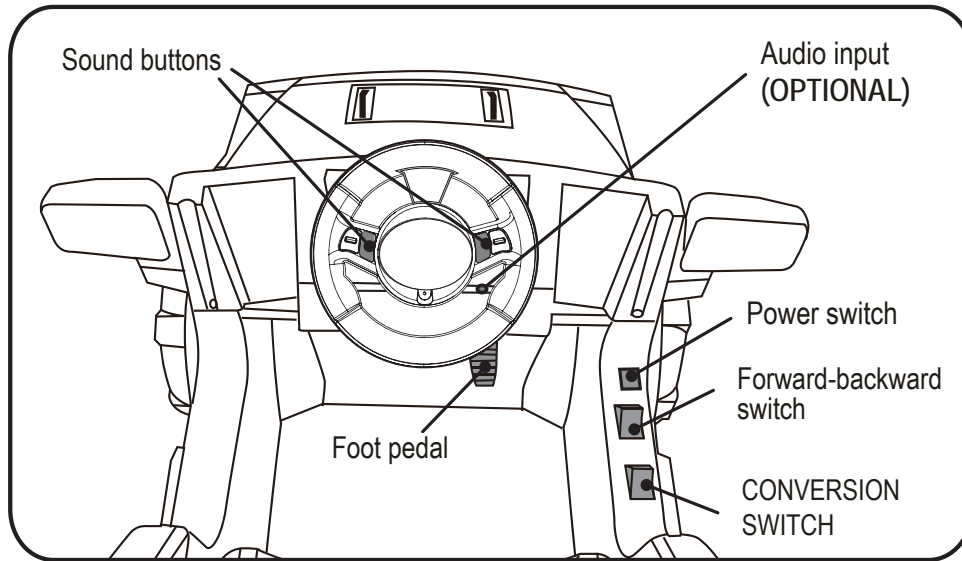
Rules for Safe Riding

READ THESE RULES ALOUD TO YOUR CHILD AND THEIR PLAYMATES AND MAKE SURE THEY UNDERSTAND THEM!

- Always wear a helmet when riding.
- Direct Adult Supervision Required.
- Keep Children within Safe Riding Areas.
- Never use in roadway, near motor vehicles, on lawn space, on or near steep inclines or steps, swimming pools or other bodies of water;
- Use the toy only on flat surfaces. such as inside your house, garden or playground.
- Never use in the dark. A child could encounter unexpected obstacles and have an accident. Operate the vehicle only in the daytime or a well-lit area.
- It is not recommended to drive the vehicle on wet surfaces or on lopes of greater than 15 degrees.
- Do not use this vehicle outdoors when it is raining or snowing.
- Make sure you come to a complete stop before changing directions from forward to back.
- Please follow the correct weight and age limits allowed to drive this vehicle.
- It is prohibited to change the circuit or add other electric parts
- Inspect wires and connections of the vehicle periodically.
- In order to avoid accidents, please ensure the vehicle is safe before riding.
- Do not let any child touch the wheels or be near them when the car is moving .
- This vehicle has adjustable play seat belts. please instruct children how to tie the safety belt before using, guarantee the security.

HOW TO OPERATE YOUR VEHICLE

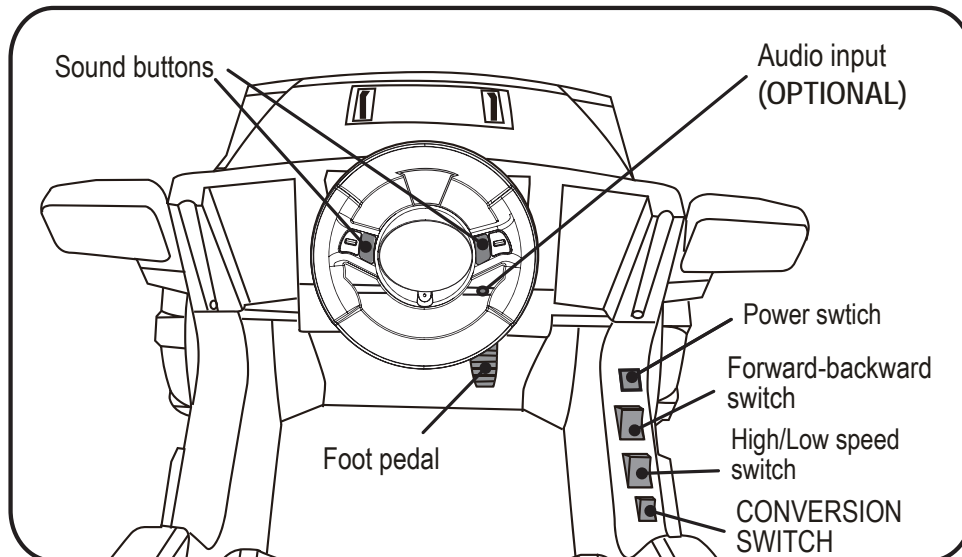
Use Operation A



IMPORTANT!

Always stop vehicle when changing the speed or direction to avoid damage the gears and motor.

H/L SPEED Use Operation B



ADVANCED USE - High speed Drive

Make sure your child knows how to steer, how to start and stop the vehicle and knows the rules for safe driving. The vehicle can be driven at a maximum of 3~5 km/h.

FORWARD

1. Press the "Forward-backward switch" on the "Forward" position.
2. Press the "Foot pedal", the vehicle drives forward.

STOP

The vehicle will stop automatically, when your child's foot remove from the "Foot pedal".

REVERSE

1. Press the "Forward-backward switch" on the "Backward" position.
2. Press the "Foot pedal", the vehicle drives backward.

SOUND BUTTON

Press the buttons on the steering wheel for sound playing.

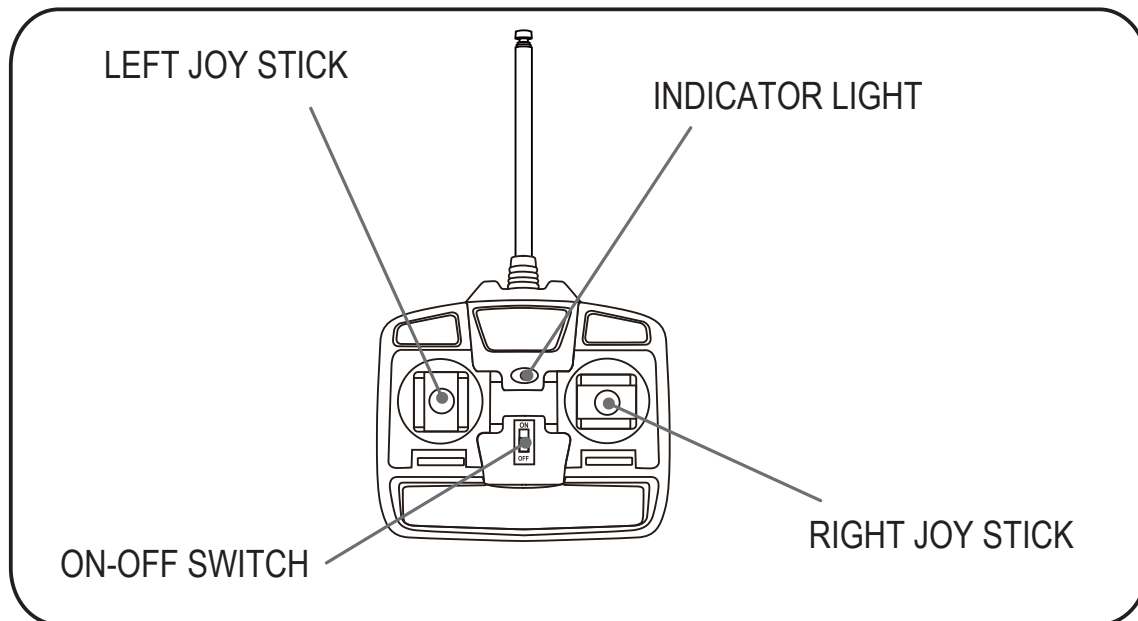
HIGH/LOW SPEED SWITCH (OPTIONAL)

The switch operates the vehicle to move in low or high speed.

HOW TO USE THE REMOTE CONTROLLER



ADULT OPERATING REQUIRED



ASSEMBLY

1. Insert the the antenna into the controller by tweak the antenna clockwise;
2. Lift the the battery compartment door on the back of the controller and insert two AA(LR6) batteries.

NOTE: This product does not includ the AA(LR6) batteries.

OPERATION

1. Press the CONVERSION SWITCH on the vehicle to the “Remote control” position.
2. Press the ON-OFF SWITCH on the remote controller to the “ON” position, the indicator light will be lighting.
3. Push the LEFT JOY STICK to the front, the vehicle goes forward, pull the LEFT JOY STICK to the back, the vehicle goes backward.
4. Push the RIGHT JOY STICK to the left, the vehicle turn left, push the RIGHT JOY STICK to the right, the vehicle turns right.

CHARGING YOUR VEHICLE

ONLY AN ADULT CAN CHARGE AND RECHARGE THE BATTERY!

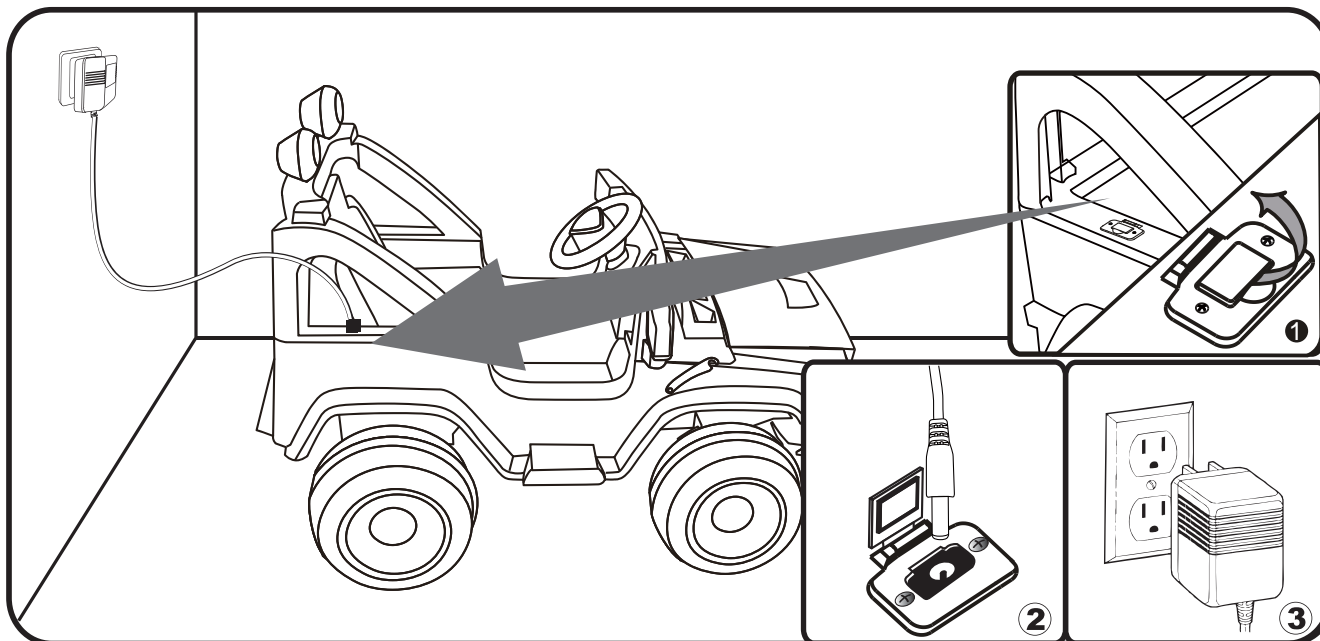
WARNING!

• **PREVENT FIRE AND ELECTRIC SHOCK:**

- Use the only rechargeable battery and charger supplied with your vehicle. NEVER substitute the battery or the charger with another brand. Using another battery or charger may cause a fire or explosion.
- Do not use the battery or charger for any other product. Overheating, fire or explosion could occur.
- NEVER modify the electric circuit system. Tampering with the electric system may cause a shock, fire or explosion or may permanently damage the system.
- Do not allow direct contact between battery terminals. Fire or explosion can occur.
- Do not allow any type of liquid on the battery or its components.
- Explosive gasses are created during charging. Do not charge near heat or flammable materials. Charge the battery in a well-ventilated area ONLY.
- NEVER pick up the battery by the wires or charger. Damage can occur to the battery and may cause a fire. Pick up the battery by the case ONLY.
- Charge the battery in a dry area ONLY.
- Battery posts, terminals and related accessories contain lead and lead compounds, chemicals known to the State of California to cause cancer and reproductive harm. **Wash hands after handling.**
- Do not open the battery. Battery contains lead acid and other materials that are toxic and corrosive.
- Do not open the charger. Exposed wiring and circuitry inside case may cause electric shock. Only adults may handle or charge the battery. NEVER allow child to handle or charge the battery. Battery is heavy and contains lead acid (electrolyte).
- Do not drop the battery. Permanent damage to the battery could occur or cause serious injury.
- Before charging the battery, check for wear or damage to the battery, charger, its supply cord and the connectors. DO NOT charge the battery if any damage to parts has occurred.
- Do not allow the battery to drain completely. Recharge the battery after each use or once a month if not used regularly.
- Do not charge battery upside down.
- Always secure the battery with the bracket. Battery can fall out and injure a child if vehicle tips over.

- The charging input socket is UNDER THE SEAT.
- The POWER SWITCH must be turned in OFF position when charging.
- Before the first use, you should charge the battery for 4-6 hours. Do not recharge the battery for more than 10 hours to avoid overheating the charger.
- When the vehicle begins to run slowly, recharge the battery.
- After each use or once a month minimum recharge time as 8 to 12 hours, less than 20 hours at most.

CHARGING YOUR VEHICLE



1. Open the cover of the socket (the socket is under the rear light bar)
2. Plug the charger port into the input socket.
3. Plug the charger plug into a wall outlet. The battery will begin charging.



WARNING!

This product with CHARGING PROTECTION: When charging, all the functions will be cut off!

TROUBLESHOOTING GUIDE

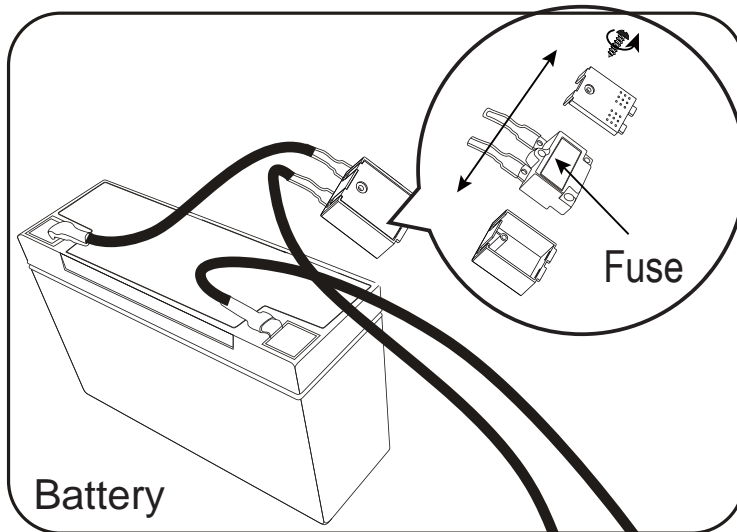
■ PROBLEM: The vehicle does not run

PROBLEM CAUSE: The battery may low on power.

After each use, or once a month minimum, charge the battery for a full 10 hours. Do not leave the battery on the charger for more than 20 hours.

POSSIBLE CAUSE: Thermal fuse has tripped.

The vehicle is equipped with a self-resetting fuse. When the vehicle is overloaded or operated incorrectly; the self-resetting fuse will be cut off for 15-20seconds before becoming operational again. The self-resetting fuse is under the seat (Refer to the picture.)



To avoid the fuse cut off the power, follow these guidelines:

- DO NOT overload the vehicle, Maximum weight allowed :30kg
- DO NOT tow anything behind the vehicle.
- DO NOT drive up steep slopes.
- DO NOT drive into fixed objects, which may cause the wheels to spin, causing the motor to overheat.
- DO NOT drive in very hot weather, components may overheat.
- DO NOT tamper with the electric system, Doing so may create a short circuit, causing the fuse to trip.

POSSIBLE CAUSE: Wheel nuts are loose.

If the nuts are not tight, the wheels will not engage the forward gears. Tighten the nut with the nut wrench.

POSSIBLE CAUSE: Battery connector or wires are loose.

Make Sure the battery connectors are firmly plugged in to each other.

POSSIBLE CAUSE: Battery is dead.

Have you properly maintained the battery according to the directions? Is the battery old? Your battery may need to be replaced.

POSSIBLE CAUSE: Electric system is damaged.

Water may have corroded the system, or loose dirt, gravel or sand might have jammed the switch.

POSSIBLE CAUSE: Motor is damaged.

The motor needs professional repair.

■ PROBLEM: The battery will not recharge.

POSSIBLE CAUSE: Battery connector or adapter connector is loose.

Make sure the battery connector and adapter connector are firmly plugged together.

POSSIBLE CAUSE: Charger is not plugged in.

Make sure the charger is plugged into the wall outlet and the power flow to the outlet is on.

POSSIBLE CAUSE: Charger is not working.

Is the charger warm while charging? If not, the charger may be broken and may need to be replaced.

TROUBLESHOOTING GUIDE

■ **PROBLEM: The vehicle does not run very long.**

POSSIBLE CAUSE: Battery may be undercharged.

You may not be charging the battery long enough. After each use, or once a month minimum, charge the battery for 8 to 10 hours. Do not leave the battery on the charger for more than 20 hours.

POSSIBLE CAUSE: Battery is old.

The battery will eventually lose the ability to hold a charge. Depending on the amount of use, and varying conditions, the battery should operate for one to three years. Replace the battery with a new one.

■ **PROBLEM: Battery buzzes or gurgles when charging.**

This is normal and not a cause for concern. It may also be silent when charging, which is also normal.

■ **PROBLEM: Charger feels warm when recharging battery.**

This is normal and not a cause for concern.

MAINTAINING YOUR VEHICLE

- It is parents' responsibility to check main parts of the toy before using, Must regularly examine for potential hazard, such as the battery, charge,cable or cord, plug, screws are fastening enclosure of other parts and that in the event of such damage, the toy must not be until that damage had been properly removed.
- Make sure the plastic parts of the vehicle are not cracked or broken.
- Occasionally use a lightweight oil to lubricate moving parts such as wheels.
- Park the vehicle indoors or cover it with a tarp to protect it from wet weather.
- Keep the vehicle away from sources of heat, such as stoves and heaters. Plastic parts may melt.
- Recharge the battery after each use. Only an adult can handle the battery. Recharge the battery at least once a month when the vehicle Raider is not being used.
- Do not wash the vehicle with a hose. Do not wash the vehicle with soap and water. Do not drive the vehicle in rainy or snowy weather. Water will damage the motor, electric system and battery.
- Clean the vehicle with a soft, dry cloth. To restore shine to plastic parts, use a non-wax furniture polish. Do not use car wax. Do not use abrasive cleaners.
- Do not drive the vehicle in loose dirt, sand or fine gravel which could damage moving parts, motors or the electric system.
- When not using, all the electrical source should be turn off. Turn off the power switch and disconnect the battery connection.

DISPOSAL OF BATTERY

Disposal Of Battery



- Your sealed lead-acid battery must be recycled or disposed of in an environmentally sound manner.
- Do not dispose of your lead-acid battery in a fire. The battery may explode or leak.
- Do not dispose of a lead-acid battery in your regular, household trash. The incineration, land filling or mixing of sealed lead-acid batteries with household trash is prohibited by law.
- Return an exhausted battery to your local approved lead-acid battery recycle, such as a local seller of automotive batteries.
- Contact your local waste management officials for other information regarding the environmentally sound recycling and disposal of lead-acid batteries.

Our products are suitable for
ASTM F963; GB6675; EN71 and EN62115 standard.